

# CONTENTS

## INDEX

| <i>SERIES</i> | <i>DESCRIPTION</i>                           | <i>PAGE</i> |
|---------------|--|-------------|
| SS01          | FERRULE 1-WIRE SKIVE HOSE                    | 3           |
| SN01          | FERRULE 1-WIRE NON-SKIVE HOSE                | 3           |
| SS02          | FERRULE 2-WIRE SKIVE HOSE                    | 4           |
| SN02          | FERRULE 2-WIRE NON-SKIVE HOSE                | 4           |
| MS00          | FERRULE-MULTI-SPIRAL HOSE                    | 5           |
| HMS0          | FERRULE-MULTISPIRAL HOSE (R9-R9R)            | 5           |
| S001          | BSP STRAIGHT FEMALE 30° SEAT ANGLE           | 6           |
| S002          | BSP STRAIGHT FEMALE FLAT SEAT                | 7           |
| S003          | SAE STRAIGHT FEMALE 45° SEAT ANGLE           | 8           |
| S005          | JIC STRAIGHT FEMALE 37° SEAT ANGLE           | 9           |
| S006          | 'O' RING SEAL (ORS) FEMALE SWIVEL-STRAIGHT   | 10          |
| S009          | SAE 45° FLARE MALE                           | 11          |
| S012          | BSPP MALE                                    | 12          |
| S013          | BSPP MALE FLAT FACE                          | 13          |
| S015          | BSPT MALE                                    | 14          |
| S016          | NPT MALE                                     | 15          |
| S018          | JIC 37° FLARE MALE                           | 16          |
| S019          | JIC BULKHEAD MALE 37° SEAT ANGLE             | 17          |
| S020          | UN 'O'-RING BOSS MALE                        | 18          |
| S023          | SAE STRAIGHT FLANGE                          | 19          |
| S026          | BSP FEMALE INVERTED CONE 30° SEAT ANGLE (ST) | 20          |
| S051          | BSP 90° SWEPT ELBOW                          | 21          |
| S055          | JIC 90° SWEPT ELBOW 37° SEAT ANGLE           | 22          |
| S056          | ORS FEMALE SWIVEL 90° ELBOW                  | 23          |
| S059          | SAE 90° SWEPT ELBOW FLANGE                   | 24          |
| S060          | BSP 45° SWEPT ELBOW                          | 25          |
| S062          | SAE 22-1/2° SWEPT ELBOW FLANGE               | 26          |
| S063          | SAE 30° SWEPT ELBOW FLANGE                   | 27          |
| S064          | JIC 45° SWEPT ELBOW 37° SEAT ANGLE           | 28          |
| S066          | SAE 60° SWEPT ELBOW FLANGE                   | 29          |
| S067          | SAE 67-1/2° SWEPT ELBOW FLANGE               | 30          |

# INDEX

| <i>SERIES</i> | <i>DESCRIPTION</i>                               | <i>PAGE</i> |
|---------------|--|-------------|
| S068          | SAE 45° SWEPT ELBOW FLANGE                       | 31          |
| S094          | BANJO FOR BSP BOLTS                              | 32          |
| S095          | BANJO FOR METRIC BOLTS                           | 33          |
| S096          | LIFESAVER  | 34          |
| S097          | PIPE STAND-LIGHT DUTY                            | 35          |
| S098          | PIPE STAND-HEAVY DUTY                            | 36          |
| S099          | PIPE STAND-FRENCH TYPE                           | 37          |
| S551          | BSP COMPACT ELBOW                                | 38          |
| S555          | JIC COMPACT ELBOW                                | 39          |
| S666          | 'ORS' FEMALE SWIVEL 45° ELBOW                    | 40          |
| S801          | METRIC FEMALE 60° SEAT ANGLE                     | 41          |
| S802          | METRIC FEMALE-FLAT SEAT                          | 42          |
| S803          | METRIC FEMALE-LIGHT DUTY 24° SEAT ANGLE          | 43          |
| S804          | METRIC FEMALE-HEAVY DUTY 24° SEAT ANGLE          | 44          |
| S805          | METRIC STRAIGHT FEMALE-FRENCH TYPE               | 45          |
| S806          | 'O'-RING STRAIGHT FEMALE (DKO) HEAVY DUTY        | 46          |
| S811          | METRIC MALE 60° SEAT                             | 47          |
| S813          | METRIC MALE 24° SEAT LIGHT DUTY TYPE (ST)        | 48          |
| S814          | METRIC MALE 24° SEAT HEAVY DUTY TYPE (ST)        | 49          |
| S815          | METRIC MALE-FRENCH TYPE (ST)                     | 50          |
| S818          | JIS 30° FLARE MALE (ST)                          | 51          |
| S819          | JIS BULKHEAD MALE 30° SEAT ANGLE (ST)            | 52          |
| S851          | METRIC 90° SWEPT ELBOW 60° CONE (ST)             | 53          |
| S853          | METRIC 90° SWEPT ELBOW-LIGHT DUTY 24° SEAT (ST)  | 54          |
| S854          | METRIC 90° SWEPT ELBOW-HEAVY DUTY 24° SEAT (ST)  | 55          |
| S855          | METRIC 90° SWEPT ELBOW-FRENCH TYPE 24° SEAT (ST) | 56          |
| S856          | METRIC 90° O-RING SWEPT ELBOW (DKO) (ST)         | 57          |
| S861          | METRIC 45° SWEPT ELBOW 60° SEAT (ST)             | 58          |
| S863          | METRIC 45° SWEPT ELBOW-LIGHT DUTY 24° SEAT (ST)  | 59          |
| S864          | METRIC 45° SWEPT ELBOW-HEAVY DUTY 24° SEAT (ST)  | 60          |
| S865          | METRIC 45° SWEPT ELBOW-FRENCH TYPE 24° SEAT (ST) | 61          |
| S866          | METRIC 45° 'O' RING SWEPT ELBOW (DKO) (ST)       | 62          |
| S870          | JAPANESE METRIC FEMALE 30° SEAT (ST)             | 63          |
| S880          | METRIC MALE WITH 'O' RING GROOVE (ST)            | 64          |

# CONTENTS

## INDEX

| <i>SERIES</i> | <i>DESCRIPTION</i>                       | <i>PAGE</i> |
|---------------|--|-------------|
| ADAB          | BSPT-BSPP ADAPTORS                       | 65          |
| ADCA          | BSPP FEMALE – BSPT ADAPTORS              | 65          |
| ADCB          | BSPP FEMALE – BSPP ADAPTORS              | 66          |
| ADCN          | BSPP FEMALE – UN-‘O’- RING BOSS ADAPTORS | 66          |
| ADGA          | JIC – BSPT ADAPTORS                      | 67          |
| ADGL          | JIC – NPT ADAPTORS                       | 67          |
| ADNB          | ‘O’-RING BOSS – BSPP ADAPTORS            | 68          |
| ADGN          | JIC – ‘O’-RING BOSS ADAPTORS             | 68          |
|               | SOLID PIECE RANGE AND CATERPILLAR® RANGE | 69          |

# SUNFLEX

---

## FITTINGS

---

## **General Information**

- The standard fittings shown in this catalogue are made from quality steel machined to close tolerances.
- We also produce special fittings and related turned parts of steel or other materials on request.
- Rainbow-zinc plating with passivation on standard fittings – other protective finishing could also be supplied on request.
- Screw threads are machined to internationally accepted standards such as:  
BSP                    UN 1338                    METRIC: ISO – 6H  
JIC/SAE            Class 2                    NPTF : ASA

It is recommended that our fittings should be used in sets. Mix use of our fittings with others could result in unsatisfactory performance of final products.

## **Legend**

The legends following the part numbers indicate that:

- (S)            Standard tail (R1 & R2)
- (L)            Multispiral tail
- (N)            Ferrules able to be used on R1T/R2T hose
- (V)            Solid type
- (VS)          Solid piece – standard tail
- (VL)          Solid piece – multispiral tail
- Code 61      3000psi
- Code 62      6000psi
- Thrust-Wire Nut Fittings
- L              Long Nut or Long Leg Fittings or Long tube
- HD            Heavy Duty Nut Fittings or Caterpillar® or 9000 series
- NH            No hole

### **Box Sizes**

- Box 1 – 153mm(L) x 153mm(W) x 153mm (H)
- Box 2 - 254mm(L) x 153mm(W) x 153mm(H)
- Box 3 – 254mm(L) x 254mm(W) x 153mm(H)

Caterpillar® and Cat® are registered trademarks of Caterpillar Inc. All manufacturer's names, numbers, symbols and descriptions are used for reference purposes only and do not imply that any part listed is a product of these manufacturers.

We reserve the right to alter the design, specifications, or to discontinue the production of any items listed in this catalogue.

# How to Order

The inserts and ferrules are supplied separately. Normally the inserts are common to all types of hoses, only the ferrules are required to match the hose to be used.

## **EXAMPLE 1**

1-1/16" JIC Straight Female

To fit on 3/4" Nominal Bore, 2-wire SAE100R2T Non Skive Hose

Ferrule            SN02-12

Insert            S005-17-12 (S)

## **EXAMPLE 2**

If the hose for above is 3/4" Nominal Bore, 2-wire SAE100RA Skive Hose

Ferrule            SS02-12

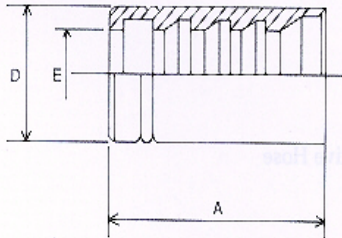
Insert            S005-17-12 (S)

## **EXAMPLE 3**

If the hose for above is 3/4" Nominal Bore, Multi-Spiral SAE100R9 Hose

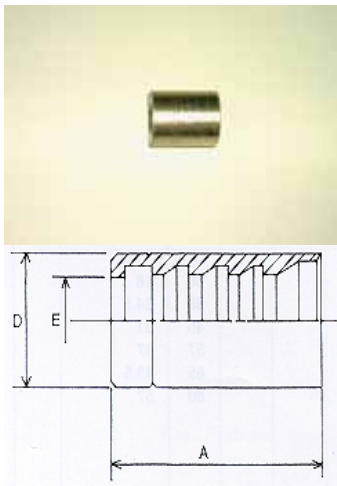
Ferrule            MS00-12

Insert            S005-17-12 (L)



[Contents Page](#)

| SS01 SERIES – FERRULE 1 – WIRE SKIVE HOSE |           |        |               |   |   |   |    |   |    |      |
|---|-----------|--------|---------------|---|---|---|----|---|----|------|
| PART NUMBER                               | HOSE BORE | THREAD | DIMENSIONS mm |   |   |   |    |   |    |      |
|   | I         |        | T             | A | B | C | D  | E | H  | L    |
| SS01-04                                   | 1/4"      |        |               |   |   |   | 30 |   | 19 | 11.5 |
| SS01-06                                   | 3/8"      |        |               |   |   |   | 32 |   | 23 | 14   |
| SS01-08                                   | 1/2"      |        |               |   |   |   | 34 |   | 26 | 18.5 |
| SS01-10                                   | 5/8"      |        |               |   |   |   | 38 |   | 30 | 22   |
| SS01-12                                   | 3/4"      |        |               |   |   |   | 43 |   | 34 | 25   |
| SS01-16                                   | 1"        |        |               |   |   |   | 51 |   | 43 | 31   |
| SS01-20                                   | 1-1/4"    |        |               |   |   |   | 53 |   | 50 | 38   |
| SS01-24                                   | 1-1/2"    |        |               |   |   |   | 60 |   | 57 | 44.5 |
| SS01-32                                   | 2"        |        |               |   |   |   | 75 |   | 70 | 57.5 |



[Contents page](#)

### SS02 SERIES – FERRULE 2 – WIRE SKIVE HOSE

| PART NUMBER | HOSE BORE | THREAD | DIMENSIONS mm |   |   |   |    |      |   |   |  |
|-------------|-----------|--------|---------------|---|---|---|----|------|---|---|--|
|             | I         |        | T             | A | B | C | D  | E    | H | L |  |
| SS02-04     | 1/4"      |        | 30            |   |   |   | 21 | 11.5 |   |   |  |
| SS02-06     | 3/8"      |        | 32            |   |   |   | 25 | 14   |   |   |  |
| SS02-08     | 1/2"      |        | 34            |   |   |   | 28 | 18.5 |   |   |  |
| SS02-10     | 5/8"      |        | 38            |   |   |   | 32 | 22   |   |   |  |
| SS02-12     | 3/4"      |        | 41            |   |   |   | 36 | 25   |   |   |  |
| SS02-16     | 1"        |        | 50            |   |   |   | 44 | 31   |   |   |  |
| SS02-20     | 1-1/4"    |        | 59            |   |   |   | 54 | 38   |   |   |  |
| SS02-24     | 1-1/2"    |        | 67            |   |   |   | 61 | 44.5 |   |   |  |
| SS02-32     | 2"        |        | 78            |   |   |   | 75 | 57.5 |   |   |  |

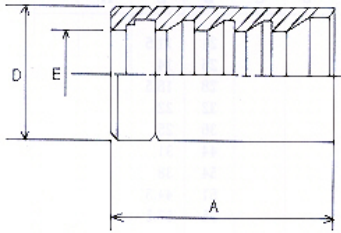


[Contents page](#)

### SN02 SERIES – FERRULE 2 – WIRE NON-SKIVE HOSE

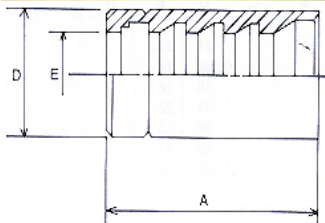
| PART NUMBER | HOSE BORE | THREAD | DIMENSIONS mm |   |   |   |      |      |   |   |  |
|-------------|-----------|--------|---------------|---|---|---|------|------|---|---|--|
|             | I         |        | T             | A | B | C | D    | E    | H | L |  |
| SN02-04     | 1/4"      |        | 30            |   |   |   | 21   | 11.5 |   |   |  |
| SN02-05     | 5/16"     |        | 31            |   |   |   | 23   | 12.9 |   |   |  |
| SN02-06     | 3/8"      |        | 32            |   |   |   | 25   | 14   |   |   |  |
| SN02-08     | 1/2"      |        | 34            |   |   |   | 28   | 18.5 |   |   |  |
| SN02-10     | 5/8"      |        | 38            |   |   |   | 32   | 22   |   |   |  |
| SN02-12     | 3/4"      |        | 43            |   |   |   | 36   | 25   |   |   |  |
| SN02-16     | 1"        |        | 57            |   |   |   | 46   | 31   |   |   |  |
| SN02-20     | 1-1/4"    |        | 59            |   |   |   | 57   | 38   |   |   |  |
| SN02-24     | 1-1/2"    |        | 63.5          |   |   |   | 63.5 | 44.8 |   |   |  |
| SN02-32     | 2"        |        | 79            |   |   |   | 76.2 | 57.5 |   |   |  |





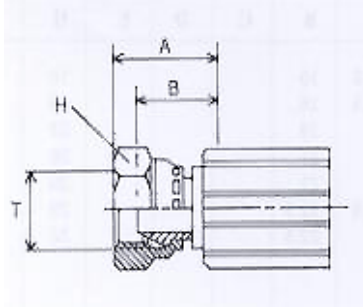
[Contents Page](#)

| MS00 SERIES – FERRULE – MULTI-SPIRAL HOSE |           |        |               |   |   |    |      |   |   |  |
|---|-----------|--------|---------------|---|---|----|------|---|---|--|
| PART NUMBER                               | HOSE BORE | THREAD | DIMENSIONS mm |   |   |    |      |   |   |  |
|   | I         | T      | A             | B | C | D  | E    | H | L |  |
| MS00-04                                   | 1/4"      |        | 32            |   |   | 23 | 11.5 |   |   |  |
| MS00-06                                   | 3/8"      |        | 32            |   |   | 25 | 14   |   |   |  |
| MS00-08                                   | 1/2"      |        | 44            |   |   | 30 | 18   |   |   |  |
| MS00-12                                   | 3/4"      |        | 52            |   |   | 38 | 25   |   |   |  |
| MS00-16                                   | 1"        |        | 65            |   |   | 46 | 31   |   |   |  |
| MS00-20                                   | 1-1/4"    |        | 77            |   |   | 57 | 38.5 |   |   |  |
| MS00-24                                   | 1-1/2"    |        | 86            |   |   | 63 | 43.5 |   |   |  |
| MS00-32                                   | 2"        |        | 98            |   |   | 80 | 57   |   |   |  |



[Contents Page](#)

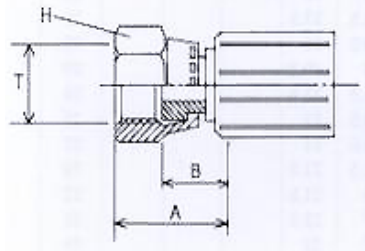
| HMS0 SERIES – FERRULE – MULTISPIRAL HOSE (R9-R9R) |           |        |               |   |   |      |      |   |   |  |
|---|-----------|--------|---------------|---|---|------|------|---|---|--|
| PART NUMBER                                       | HOSE BORE | THREAD | DIMENSIONS mm |   |   |      |      |   |   |  |
|   | I         | T      | A             | B | C | D    | E    | H | L |  |
| HMS0-04   | 1/4"      |        | 30            |   |   | 21   | 11.5 |   |   |  |
| HMS0-06   | 3/8"      |        | 32            |   |   | 25.4 | 14.5 |   |   |  |
| HMS0-08   | 1/2"      |        | 34            |   |   | 30   | 18   |   |   |  |
| HMS0-10   | 5/8"      |        | 37            |   |   | 34   | 22   |   |   |  |
| HMS0-12   | 3/4"      |        | 46            |   |   | 38   | 24.5 |   |   |  |
| HMS0-16   | 1"        |        | 50            |   |   | 46   | 31   |   |   |  |
| HMS0-20   | 1-1/4"    |        | 59            |   |   | 56   | 38.5 |   |   |  |
| HMS0-24   | 1-1/2"    |        | 76            |   |   | 62   | 44.8 |   |   |  |
| HMS0-32   | 2"        |        | 79            |   |   | 76   | 57   |   |   |  |



[Contents Page](#)

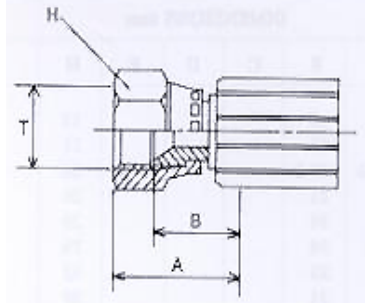
| <b>S001 SERIES – BSP STRAIGHT FEMALE 30° SEAT ANGLE<br/>– STANDARD TAIL</b> |                      |               |                      |          |          |          |          |          |          |
|---|----------------------|---------------|----------------------|----------|----------|----------|----------|----------|----------|
| <b>PART<br/>NUMBER</b>  | <b>HOSE<br/>BORE</b> | <b>THREAD</b> | <b>DIMENSIONS mm</b> |          |          |          |          |          |          |
|   | <b>I</b>             | <b>T</b>      | <b>A</b>             | <b>B</b> | <b>C</b> | <b>D</b> | <b>E</b> | <b>H</b> | <b>L</b> |
| S001-04-04 (S)  | 1/4"                 | 1/4 – 19      | 22                   | 18       |          |          |          | 19       |          |
| S001-06-06 (S)  | 3/8"                 | 3/8 – 19      | 24                   | 19       |          |          |          | 22       |          |
| S001-08-06 (S)  | 3/8"                 | 1/2 – 14      | 26.5                 | 20.5     |          |          |          | 26       |          |
| S001-08-08 (S)  | 1/2"                 | 1/2 – 14      | 27                   | 21       |          |          |          | 26       |          |
| S001-10-08 (S)  | 1/2"                 | 5/8 – 14      | 31                   | 24       |          |          |          | 29       |          |
| S001-10-10 (S)  | 5/8"                 | 5/8 – 14      | 31                   | 24       |          |          |          | 29       |          |
| S001-12-12 (S)  | 3/4"                 | 3/4 – 14      | 31                   | 25       |          |          |          | 32       |          |
| S001-16-16 (S)  | 1"                   | 1" – 11       | 40                   | 31       |          |          |          | 38       |          |
| S001-20-16 (S)  | 1"                   | 1-1/4 – 11    | 59                   | 47       |          |          |          | 50.8     |          |
| S001-20-20 (S)  | 1-1/4"               | 1-1/4 – 11    | 46.5                 | 35.5     |          |          |          | 50.8     |          |
| S001-24-24 • (S)  | 1-1/2"               | 1-1/2 – 11    | 46.5                 | 35.5     |          |          |          | 57       |          |
| S001-32-32 • (S)  | 2"                   | 2" – 11       | 37                   | 31       |          |          |          | 70       |          |

| <b>S001 SERIES – BSP STRAIGHT FEMALE 30° SEAT ANGLE<br/>– MULTI SPIRAL TAIL</b> |                      |               |                      |          |          |          |          |          |          |
|---|----------------------|---------------|----------------------|----------|----------|----------|----------|----------|----------|
| <b>PART<br/>NUMBER</b>  | <b>HOSE<br/>BORE</b> | <b>THREAD</b> | <b>DIMENSIONS mm</b> |          |          |          |          |          |          |
|   | <b>I</b>             | <b>T</b>      | <b>A</b>             | <b>B</b> | <b>C</b> | <b>D</b> | <b>E</b> | <b>H</b> | <b>L</b> |
| S001-12-12 (L)  | 3/4"                 | 3/4 – 14      | 31                   | 25       |          |          |          | 32       |          |
| S001-16-16 (L)  | 1"                   | 1" – 11       | 40                   | 31       |          |          |          | 38       |          |
| S001-20-16 (L)  | 1"                   | 1-1/4 – 11    | 59                   | 47       |          |          |          | 50.8     |          |
| S001-20-20 (L)  | 1-1/4"               | 1-1/4 – 11    | 46.5                 | 35.5     |          |          |          | 50.8     |          |
| S001-24-24 • (L)  | 1-1/2"               | 1-1/2 – 11    | 46.5                 | 35.5     |          |          |          | 57       |          |
| S001-32-32 • (L)  | 2"                   | 2" – 11       | 37                   | 31       |          |          |          | 70       |          |
| S001-12-12HD (L)  | 3/4"                 | 3/4 – 14      | 34                   | 26.5     |          |          |          | 35       |          |
| S001-16-16HD (L)  | 1"                   | 1" – 11       | 37.5                 | 27.5     |          |          |          | 41       |          |



[Contents Page](#)

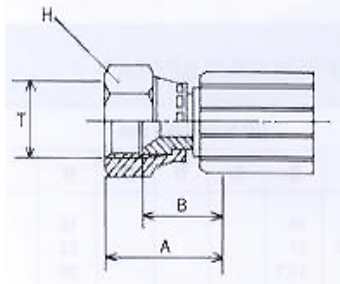
| S002 SERIES – BSP STRAIGHT FEMALE FLAT SEAT |           |          |               |      |   |   |   |    |   |
|---|-----------|----------|---------------|------|---|---|---|----|---|
| PART NUMBER                                 | HOSE BORE | THREAD   | DIMENSIONS mm |      |   |   |   |    |   |
|   | I         | T        | A             | B    | C | D | E | H  | L |
| S002-04-04 (S)                              | 1/4"      | 1/4 – 19 | 22            | 16   |   |   |   | 19 |   |
| S002-06-06 (S)                              | 3/8"      | 3/8 – 19 | 24.5          | 17   |   |   |   | 22 |   |
| S002-08-06 (S)                              | 3/8"      | 1/2 – 14 | 27            | 17.7 |   |   |   | 26 |   |
| S002-06-08 (S)                              | 1/2"      | 3/8 – 19 | 24.5          | 17   |   |   |   | 22 |   |
| S002-08-08 (S)                              | 1/2"      | 1/2 – 14 | 27.5          | 18   |   |   |   | 26 |   |
| S002-12-08 (S)                              | 1/2"      | 3/4 – 14 | 33            | 22.5 |   |   |   | 32 |   |
| S002-12-12 (S)                              | 3/4"      | 3/4 – 14 | 34            | 22.5 |   |   |   | 32 |   |
| S002-16-16 (S)                              | 1"        | 1" – 11  | 37.5          | 24.5 |   |   |   | 38 |   |



[Contents Page](#)

| <b>S003 SERIES – SAE STRAIGHT FEMALE 45° SEAT ANGLE<br/>– STANDARD TAIL</b> |                      |               |                      |          |          |          |          |          |          |  |
|---|----------------------|---------------|----------------------|----------|----------|----------|----------|----------|----------|--|
| <b>PART<br/>NUMBER</b>  | <b>HOSE<br/>BORE</b> | <b>THREAD</b> | <b>DIMENSIONS mm</b> |          |          |          |          |          |          |  |
|   | <b>I</b>             | <b>T</b>      | <b>A</b>             | <b>B</b> | <b>C</b> | <b>D</b> | <b>E</b> | <b>H</b> | <b>L</b> |  |
| S003-07-04 (S)  | 1/4"                 | 7/16 – 20     | 24.5                 | 16       |          |          |          |          | 16       |  |
| S003-08-04 (S)  | 1/4"                 | 1/2 – 20      | 24.5                 | 16       |          |          |          |          | 19       |  |
| S003-10-06 (S)  | 3/8"                 | 5/8 – 18      | 27                   | 18       |          |          |          |          | 22       |  |
| S003-12-08 (S)  | 1/2"                 | 3/4 – 16      | 31                   | 21       |          |          |          |          | 22       |  |
| S003-14-08 (S)  | 1/2"                 | 7/8 – 14      | 31                   | 21       |          |          |          |          | 26       |  |
| S003-14-10 (S)  | 5/8"                 | 7/8 – 14      | 31.5                 | 22.5     |          |          |          |          | 26       |  |
| S003-17-12 (S)  | 3/4"                 | 1-1/16 – 14   | 37                   | 22.5     |          |          |          |          | 32       |  |

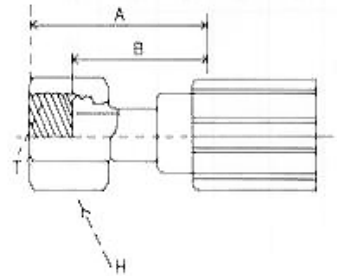
| <b>S003 SERIES – SAE STRAIGHT FEMALE 45° SEAT ANGLE<br/>– MULTISPIRAL TAIL</b> |                      |               |                      |          |          |          |          |          |          |  |
|--|----------------------|---------------|----------------------|----------|----------|----------|----------|----------|----------|--|
| <b>PART<br/>NUMBER</b>   | <b>HOSE<br/>BORE</b> | <b>THREAD</b> | <b>DIMENSIONS mm</b> |          |          |          |          |          |          |  |
|  | <b>I</b>             | <b>T</b>      | <b>A</b>             | <b>B</b> | <b>C</b> | <b>D</b> | <b>E</b> | <b>H</b> | <b>L</b> |  |
| S003-17-12 (L)   | 3/4"                 | 1-1/16 – 14   | 37                   | 22.5     |          |          |          |          | 32       |  |



[Contents Page](#)

| <b>S005 SERIES – JIC STRAIGHT FEMALE 37° SEAT ANGLE<br/>– STANDARD TAIL</b> |                  |               |                      |          |          |          |          |          |          |  |
|---|------------------|---------------|----------------------|----------|----------|----------|----------|----------|----------|--|
| <b>PART NUMBER</b>  | <b>HOSE BORE</b> | <b>THREAD</b> | <b>DIMENSIONS mm</b> |          |          |          |          |          |          |  |
|   | <b>I</b>         | <b>T</b>      | <b>A</b>             | <b>B</b> | <b>C</b> | <b>D</b> | <b>E</b> | <b>H</b> | <b>L</b> |  |
| S005-07-04 (S)  | 1/4"             | 7/16 – 20     | 24.5                 | 16       |          |          |          | 16       |          |  |
| S005-08-04 (S)  | 1/4"             | 1/2 – 18      | 24.5                 | 15       |          |          |          | 19       |          |  |
| S005-09-04 (S)  | 1/4"             | 9/16 – 18     | 25                   | 16       |          |          |          | 19       |          |  |
| S005-09-06 (S)  | 3/8"             | 9/16 – 18     | 26.5                 | 17.5     |          |          |          | 19       |          |  |
| S005-12-06 (S)  | 3/8"             | 3/4 – 16      | 30.5                 | 20       |          |          |          | 22       |          |  |
| S005-14-06 (S)  | 3/8"             | 7/8 – 14      | 30                   | 20.5     |          |          |          | 26       |          |  |
| S005-12-08 (S)  | 1/2"             | 3/4 – 16      | 31.5                 | 21.5     |          |          |          | 22       |          |  |
| S005-14-08 (S)  | 1/2"             | 7/8 – 14      | 30.5                 | 21       |          |          |          | 26       |          |  |
| S005-17-08 (S)  | 1/2"             | 1-1/16 - 12   | 35.5                 | 21       |          |          |          | 32       |          |  |
| S005-14-10 (S)  | 5/8"             | 7/8 - 14      | 31.5                 | 22.5     |          |          |          | 26       |          |  |
| S005-17-10 (S)  | 5/8"             | 1-1/16 - 12   | 36                   | 21.5     |          |          |          | 32       |          |  |
| S005-17-12 (S)  | 3/4"             | 1-1/16 - 12   | 37                   | 22.5     |          |          |          | 32       |          |  |
| S005-19-12 (S)  | 3/4"             | 1-3/16 - 12   | 37                   | 23       |          |          |          | 35       |          |  |
| S005-21-12 (S)  | 3/4"             | 1-5/16 - 12   | 38                   | 23       |          |          |          | 38       |          |  |
| S005-21-16 (S)  | 1"               | 1-5/16 - 12   | 38                   | 24       |          |          |          | 38       |          |  |
| S005-26-20 (S)  | 1-1/4"           | 1-5/8 - 12    | 42                   | 26       |          |          |          | 50.8     |          |  |
| S005-30-24 • (S)  | 1-1/2"           | 1-7/8 - 12    | 44.5                 | 26       |          |          |          | 57       |          |  |
| S005-40-32 • (S)  | 2"               | 2-1/2 - 12    | 47                   | 32       |          |          |          | 70       |          |  |
| S005-12-06HD (S)  | 3/8"             | 3/4 – 16      | 30.5                 | 20.5     |          |          |          | 26       |          |  |
| S005-12-08HD (S)  | 1/2"             | 3/4 – 16      | 31                   | 21       |          |          |          | 26       |          |  |
| S005-14-08HD (S)  | 1/2"             | 7/8 – 14      | 30.5                 | 21       |          |          |          | 29       |          |  |
| S005-14-10HD (S)  | 5/8"             | 7/8 – 14      | 31                   | 22       |          |          |          | 29       |          |  |

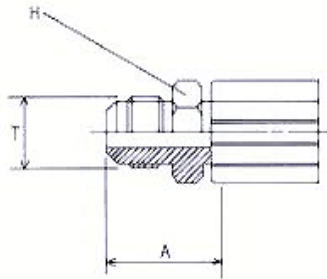
| <b>S005 SERIES – JIC STRAIGHT FEMALE 37° SEAT ANGLE<br/>– MULTISPIRAL TAIL</b> |                  |               |                      |          |          |          |          |          |          |  |
|--|------------------|---------------|----------------------|----------|----------|----------|----------|----------|----------|--|
| <b>PART NUMBER</b>   | <b>HOSE BORE</b> | <b>THREAD</b> | <b>DIMENSIONS mm</b> |          |          |          |          |          |          |  |
|  | <b>I</b>         | <b>T</b>      | <b>A</b>             | <b>B</b> | <b>C</b> | <b>D</b> | <b>E</b> | <b>H</b> | <b>L</b> |  |
| S005-17-12 (L)   | 3/4"             | 1-1/16 – 12   | 37                   | 22.5     |          |          |          | 32       |          |  |
| S005-19-12 (L)   | 3/4"             | 1-3/16 – 12   | 37                   | 23       |          |          |          | 35       |          |  |
| S005-21-12 (L)   | 3/4"             | 1-5/16 – 12   | 38                   | 23       |          |          |          | 38       |          |  |
| S005-21-16 (L)   | 1"               | 1-5/16 – 12   | 38                   | 24       |          |          |          | 38       |          |  |
| S005-26-20 (L)   | 1-1/4"           | 1-5/8 – 12    | 42                   | 26       |          |          |          | 50.8     |          |  |
| S005-30-24 • (L)   | 1-1/2"           | 1-7/8 – 12    | 44.5                 | 26       |          |          |          | 57       |          |  |
| S005-40-32 • (L)   | 2"               | 2-1/2 – 12    | 47                   | 32       |          |          |          | 70       |          |  |
| S005-21-16HD (L)   | 1"               | 1-5/6 – 12    | 39                   | 23.5     |          |          |          | 41       |          |  |



[Contents Page](#)

| <b>S006 SERIES – ‘0’ – RING SEAL (ORS) FEMALE SWIVEL-STRAIGHT – STANDARD TAIL</b> |                  |               |                      |          |          |          |          |          |          |  |
|---|------------------|---------------|----------------------|----------|----------|----------|----------|----------|----------|--|
| <b>PART NUMBER</b>  | <b>HOSE BORE</b> | <b>THREAD</b> | <b>DIMENSIONS mm</b> |          |          |          |          |          |          |  |
|   | <b>I</b>         | <b>T</b>      | <b>A</b>             | <b>B</b> | <b>C</b> | <b>D</b> | <b>E</b> | <b>H</b> | <b>L</b> |  |
| S006-09-04 (S)  | 1/4"             | 9/16 – 18     | 37                   | 28.5     |          |          |          | 19       |          |  |
| S006-11-06 (S)  | 3/8"             | 11/16 – 16    | 40.5                 | 31.5     |          |          |          | 22       |          |  |
| S006-13-08 (S)  | 1/2"             | 13/16 – 16    | 47                   | 36       |          |          |          | 26       |          |  |
| S006-16-10 (S)  | 5/8"             | 1 – 14        | 54                   | 41.5     |          |          |          | 32       |          |  |
| S006-19-12 (S)  | 3/4"             | 1-3/16 – 12   | 58                   | 45       |          |          |          | 35       |          |  |
| S006-23-16 (S)  | 1"               | 1-7/16 – 12   | 63.5                 | 49       |          |          |          | 44       |          |  |
| S006-27-20 (S)  | 1-1/4"           | 1-11/16 – 12  | 70.5                 | 55.5     |          |          |          | 48       |          |  |
| S006-32-24 (S)  | 1-1/2"           | 2 – 12        | 68.5                 | 55       |          |          |          | 57       |          |  |

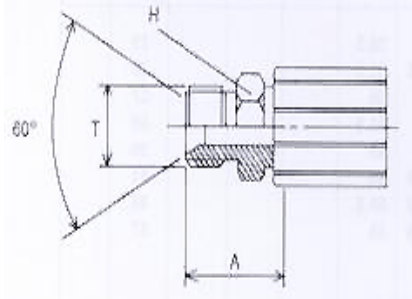
| <b>S006 SERIES – ‘0’ – RING SEAL (ORS) FEMALE SWIVEL-STRAIGHT – MULTISPIRAL TAIL</b> |                  |               |                      |          |          |          |          |          |          |  |
|--|------------------|---------------|----------------------|----------|----------|----------|----------|----------|----------|--|
| <b>PART NUMBER</b>   | <b>HOSE BORE</b> | <b>THREAD</b> | <b>DIMENSIONS mm</b> |          |          |          |          |          |          |  |
|  | <b>I</b>         | <b>T</b>      | <b>A</b>             | <b>B</b> | <b>C</b> | <b>D</b> | <b>E</b> | <b>H</b> | <b>L</b> |  |
| S006-19-12 (L)   | 3/4"             | 1-3/16 – 12   | 58                   | 45       |          |          |          | 35       |          |  |
| S006-23-16 (L)   | 1"               | 1-7/16 – 12   | 63.5                 | 49       |          |          |          | 44       |          |  |
| S006-27-20 (L)   | 1-1/4"           | 1-11/16 – 12  | 70.5                 | 55.5     |          |          |          | 48       |          |  |
| S006-32-24 (L)   | 1-1/2"           | 2 – 12        | 68.5                 | 55       |          |          |          | 57       |          |  |



[Contents Page](#)

| S009 SERIES – SAE 45° FLARE MALE<br>– STANDARD SPIRAL |           |             |               |   |   |   |   |   |      |  |
|---|-----------|-------------|---------------|---|---|---|---|---|------|--|
| PART NUMBER   | HOSE BORE | THREAD      | DIMENSIONS mm |   |   |   |   |   |      |  |
|   | I         | T           | A             | B | C | D | E | H | L    |  |
| S009-07-04 (S)  | 1/4"      | 7/16 – 20   | 27.5          |   |   |   |   |   | 12.7 |  |
| S009-08-04 (S)  | 1/4"      | 1/2 – 20    | 27.5          |   |   |   |   |   | 16   |  |
| S009-10-06 (S)  | 3/8"      | 5/8 – 18    | 28.5          |   |   |   |   |   | 19   |  |
| S009-12-08 (S)  | 1/2"      | 3/4 – 16    | 32            |   |   |   |   |   | 22   |  |
| S009-14-10 (S)  | 5/8"      | 7/8 – 14    | 34            |   |   |   |   |   | 26   |  |
| S009-17-12 (S)  | 3/4"      | 1-1/16 – 14 | 42            |   |   |   |   |   | 29   |  |

| S009 SERIES – SAE 45° FLARE MALE<br>– MULTISPIRAL TAIL |           |             |               |   |   |   |   |   |    |  |
|--|-----------|-------------|---------------|---|---|---|---|---|----|--|
| PART NUMBER  | HOSE BORE | THREAD      | DIMENSIONS mm |   |   |   |   |   |    |  |
|  | I         | T           | A             | B | C | D | E | H | L  |  |
| S009-17-12 (L)   | 3/4"      | 1-1/16 – 14 | 42            |   |   |   |   |   | 29 |  |

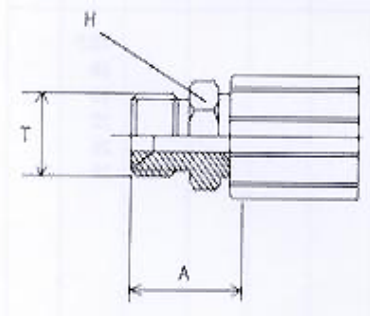


[Contents Page](#)

| <b>S012 SERIES – BSPP MALE<br/>– STANDARD TAIL</b> |                  |               |                      |          |          |          |          |          |          |  |
|--|------------------|---------------|----------------------|----------|----------|----------|----------|----------|----------|--|
| <b>PART NUMBER</b>                                 | <b>HOSE BORE</b> | <b>THREAD</b> | <b>DIMENSIONS mm</b> |          |          |          |          |          |          |  |
|  | <b>I</b>         | <b>T</b>      | <b>A</b>             | <b>B</b> | <b>C</b> | <b>D</b> | <b>E</b> | <b>H</b> | <b>L</b> |  |
| S012-04-04 (S)                                     | 1/4"             | 1/4 – 19      | 25                   |          |          |          |          |          | 19       |  |
| S012-06-06 (S)                                     | 3/8"             | 3/8 – 19      | 28.5                 |          |          |          |          |          | 22       |  |
| S012-08-08 (S)                                     | 1/2"             | 1/2 – 14      | 31                   |          |          |          |          |          | 26       |  |
| S012-10-10 (S)                                     | 5/8"             | 5/8 – 14      | 33                   |          |          |          |          |          | 29       |  |
| S012-12-12 (S)                                     | 3/4"             | 3/4 – 14      | 38                   |          |          |          |          |          | 32       |  |
| S012-16-16 (S)                                     | 1"               | 1" – 11       | 43                   |          |          |          |          |          | 38       |  |
| S012-20-20 (S)                                     | 1 1/4"           | 1 1/4" – 11   | 48                   |          |          |          |          |          | 48       |  |

| <b>S012 SERIES – BSPP MALE<br/>– MULTISPIRAL TAIL</b> |                  |               |                      |          |          |          |          |          |          |  |
|---|------------------|---------------|----------------------|----------|----------|----------|----------|----------|----------|--|
| <b>PART NUMBER</b>                                    | <b>HOSE BORE</b> | <b>THREAD</b> | <b>DIMENSIONS mm</b> |          |          |          |          |          |          |  |
|   | <b>I</b>         | <b>T</b>      | <b>A</b>             | <b>B</b> | <b>C</b> | <b>D</b> | <b>E</b> | <b>H</b> | <b>L</b> |  |
| S012-12-12 (L)  | 3/4"             | 3/4 – 14      | 38                   |          |          |          |          |          | 32       |  |
| S012-16-16 (L)  | 1"               | 1" – 11       | 43                   |          |          |          |          |          | 38       |  |
| S012-20-20 (L)  | 1 1/4"           | 1 1/4" – 11   | 48                   |          |          |          |          |          | 48       |  |

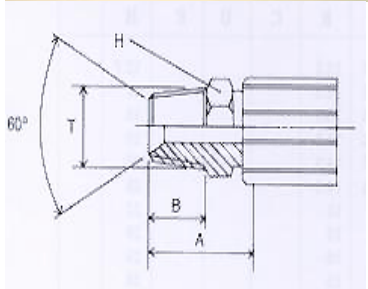




[Contents Page](#)

| S013 – BSPP MALE FLAT FACE<br>– STANDARD TAIL |           |            |               |   |   |   |   |   |    |  |
|---|-----------|------------|---------------|---|---|---|---|---|----|--|
| PART NUMBER                                   | HOSE BORE | THREAD     | DIMENSIONS mm |   |   |   |   |   |    |  |
|   | I         | T          | A             | B | C | D | E | H | L  |  |
| S013-04-04 (S)                                | 1/4"      | 1/4 – 19   | 25            |   |   |   |   |   | 19 |  |
| S013-06-04 (S)                                | 1/4"      | 3/8 – 19   | 25            |   |   |   |   |   | 22 |  |
| S013-06-06 (S)                                | 3/8"      | 3/8 – 19   | 25.5          |   |   |   |   |   | 22 |  |
| S013-08-08 (S)                                | 1/2"      | 1/2 – 14   | 30            |   |   |   |   |   | 26 |  |
| S013-12-10 (S)                                | 5/8"      | 3/4 – 14   | 34.5          |   |   |   |   |   | 35 |  |
| S013-12-12 (S)                                | 3/4"      | 3/4 – 14   | 36            |   |   |   |   |   | 35 |  |
| S013-16-12 (S)                                | 3/4"      | 1" – 11    | 38            |   |   |   |   |   | 38 |  |
| S013-12-16 (S)                                | 1"        | 3/4 – 14   | 38            |   |   |   |   |   | 35 |  |
| S013-16-16 (S)                                | 1"        | 1 – 11     | 40            |   |   |   |   |   | 38 |  |
| S013-20-16 (S)                                | 1"        | 1-1/4 – 11 | 42.5          |   |   |   |   |   | 48 |  |

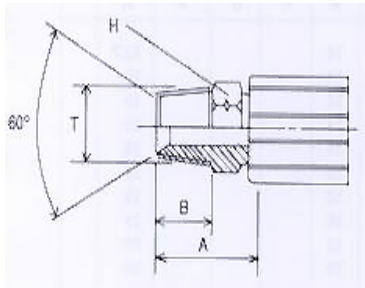
| S013 – BSPP MALE FLAT FACE<br>– MULTISPIRAL TAIL |           |            |               |   |   |   |   |   |    |  |
|--|-----------|------------|---------------|---|---|---|---|---|----|--|
| PART NUMBER                                      | HOSE BORE | THREAD     | DIMENSIONS mm |   |   |   |   |   |    |  |
|  | I         | T          | A             | B | C | D | E | H | L  |  |
| S013-12-12 (L)                                   | 3/4"      | 3/4 – 14   | 36            |   |   |   |   |   | 35 |  |
| S013-16-12 (L)                                   | 3/4"      | 1" – 11    | 38            |   |   |   |   |   | 38 |  |
| S013-12-16 (L)                                   | 1"        | 3/4 – 14   | 38            |   |   |   |   |   | 35 |  |
| S013-16-16 (L)                                   | 1"        | 1 – 11     | 40            |   |   |   |   |   | 38 |  |
| S013-20-16 (L)                                   | 1"        | 1-1/4 – 11 | 42.5          |   |   |   |   |   | 48 |  |



[Contents Page](#)

| S015 SERIES – BSPT MALE<br>– STANDARD TAIL |           |            |               |      |   |   |   |   |      |  |
|--|-----------|------------|---------------|------|---|---|---|---|------|--|
| PART NUMBER                                | HOSE BORE | THREAD     | DIMENSIONS mm |      |   |   |   |   |      |  |
|  | I         | T          | A             | B    | C | D | E | H | L    |  |
| S015-02-04 (S)                             | 1/4"      | 1/8 – 28   | 24            | 12.5 |   |   |   |   | 12.7 |  |
| S015-04-04 (S)                             | 1/4"      | 1/4 – 19   | 25.5          | 12.5 |   |   |   |   | 16   |  |
| S015-04-06 (S)                             | 3/8"      | 1/4 – 19   | 26            | 12.5 |   |   |   |   | 16   |  |
| S015-06-04 (S)                             | 1/4"      | 3/8 – 19   | 28.5          | 14   |   |   |   |   | 19   |  |
| S015-06-06 (S)                             | 3/8"      | 3/8 – 19   | 28.5          | 14   |   |   |   |   | 19   |  |
| S015-06-08 (S)                             | 1/2"      | 3/8 – 19   | 28.5          | 14   |   |   |   |   | 19   |  |
| S015-08-08 (S)                             | 1/2"      | 1/2 – 14   | 34            | 15   |   |   |   |   | 22   |  |
| S015-10-10 (S)                             | 5/8"      | 5/8 – 14   | 34            | 15   |   |   |   |   | 26   |  |
| S015-12-12 (S)                             | 3/4"      | 3/4 – 14   | 36            | 17   |   |   |   |   | 29   |  |
| S015-16-16 (S)                             | 1"        | 1" – 11    | 43.5          | 19.5 |   |   |   |   | 35   |  |
| S015-20-20 (S)                             | 1-1/4"    | 1-1/4 – 11 | 46.5          | 21.5 |   |   |   |   | 44   |  |
| S015-24-24 (S)                             | 1-1/2"    | 1-1/2 – 11 | 47.5          | 21.5 |   |   |   |   | 48   |  |
| S015-32-32 (S)                             | 2"        | 2" – 11    | 47.5          | 21.5 |   |   |   |   | 63.5 |  |

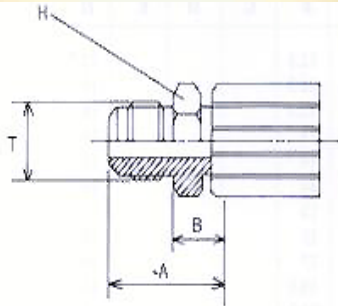
| S015 SERIES – BSPT MALE<br>– MULTISPIRAL TAIL |           |            |               |      |   |   |   |   |      |  |
|---|-----------|------------|---------------|------|---|---|---|---|------|--|
| PART NUMBER                                   | HOSE BORE | THREAD     | DIMENSIONS mm |      |   |   |   |   |      |  |
|   | I         | T          | A             | B    | C | D | E | H | L    |  |
| S015-12-12 (L)                                | 3/4"      | 3/4 – 14   | 36            | 17   |   |   |   |   | 29   |  |
| S015-16-16 (L)                                | 1"        | 1" – 11    | 43.5          | 19.5 |   |   |   |   | 35   |  |
| S015-20-20 (L)                                | 1-1/4"    | 1-1/4 – 11 | 46.5          | 21.5 |   |   |   |   | 44   |  |
| S015-24-24 (L)                                | 1-1/2"    | 1-1/2 – 11 | 47.5          | 21.5 |   |   |   |   | 48   |  |
| S015-32-32 (L)                                | 2"        | 2" – 11    | 47.5          | 21.5 |   |   |   |   | 63.5 |  |



[Contents Page](#)

| <b>S016 SERIES – NPT MALE<br/>– STANDARD TAIL</b> |                  |                |                      |          |          |          |          |          |          |
|---|------------------|----------------|----------------------|----------|----------|----------|----------|----------|----------|
| <b>PART NUMBER</b>                                | <b>HOSE BORE</b> | <b>THREAD</b>  | <b>DIMENSIONS mm</b> |          |          |          |          |          |          |
|   | <b>I</b>         | <b>T</b>       | <b>A</b>             | <b>B</b> | <b>C</b> | <b>D</b> | <b>E</b> | <b>H</b> | <b>L</b> |
| S016-02-04 (S)                                    | 1/4"             | 1/8 – 27       | 24                   | 12.5     |          |          |          | 12.7     |          |
| S016-04-04 (S)                                    | 1/4"             | 1/4 – 18       | 25                   | 12.5     |          |          |          | 16       |          |
| S016-06-04 (S)                                    | 1/4"             | 3/8 – 18       | 28                   | 13.5     |          |          |          | 19       |          |
| S016-04-06 (S)                                    | 3/8"             | 1/4 – 18       | 26                   | 12.5     |          |          |          | 16       |          |
| S016-06-06 (S)                                    | 3/8"             | 3/8 – 18       | 28.5                 | 13.5     |          |          |          | 19       |          |
| S016-08-06 (S)                                    | 3/8"             | 1/2 – 14       | 34                   | 15       |          |          |          | 22       |          |
| S016-06-08 (S)                                    | 1/2"             | 3/8 – 18       | 28.5                 | 13.5     |          |          |          | 19       |          |
| S016-08-08 (S)                                    | 1/2"             | 1/2 – 14       | 34                   | 15       |          |          |          | 22       |          |
| S016-12-12 (S)                                    | 3/4"             | 3/4 – 14       | 36                   | 17       |          |          |          | 29       |          |
| S016-16-12 (S)                                    | 3/4"             | 1" – 11-1/2    | 41                   | 19       |          |          |          | 35       |          |
| S016-16-16 (S)                                    | 1"               | 1" – 11-1/2    | 43.5                 | 19       |          |          |          | 35       |          |
| S016-20-20 (S)                                    | 1-1/4"           | 1-1/4 – 11-1/2 | 46.5                 | 21.5     |          |          |          | 44       |          |
| S016-24-24 (S)                                    | 1-1/2"           | 1-1/2 – 11-1/2 | 49.5                 | 22.5     |          |          |          | 48       |          |
| S016-32-32 (S)                                    | 2"               | 2" – 11-1/2    | 49.3                 | 22.5     |          |          |          | 63.5     |          |

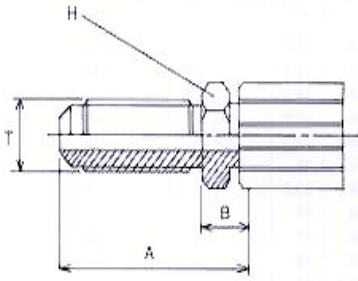
| <b>S016 SERIES – NPT MALE<br/>– MULTISPIRAL TAIL</b> |                  |                |                      |          |          |          |          |          |          |
|--|------------------|----------------|----------------------|----------|----------|----------|----------|----------|----------|
| <b>PART NUMBER</b>                                   | <b>HOSE BORE</b> | <b>THREAD</b>  | <b>DIMENSIONS mm</b> |          |          |          |          |          |          |
|  | <b>I</b>         | <b>T</b>       | <b>A</b>             | <b>B</b> | <b>C</b> | <b>D</b> | <b>E</b> | <b>H</b> | <b>L</b> |
| S016-12-12 (L)                                       | 3/4"             | 3/4 – 14       | 36                   | 17       |          |          |          | 29       |          |
| S016-16-12 (L)                                       | 3/4"             | 1" – 11-1/2    | 41                   | 19       |          |          |          | 35       |          |
| S016-16-16 (L)                                       | 1"               | 1" – 11-1/2    | 43.5                 | 19       |          |          |          | 35       |          |
| S016-20-20 (L)                                       | 1-1/4"           | 1-1/4 – 11-1/2 | 46.5                 | 21.5     |          |          |          | 44       |          |
| S016-24-24 (L)                                       | 1-1/2"           | 1-1/2 – 11-1/2 | 49.5                 | 22.5     |          |          |          | 48       |          |
| S016-32-32 (L)                                       | 2"               | 2" – 11-1/2    | 49.3                 | 22.5     |          |          |          | 63.5     |          |



[Contents Page](#)

| S018 SERIES – JIC 37° FLARE MALE<br>– STANDARD TAIL |           |             |               |      |   |   |   |   |      |
|---|-----------|-------------|---------------|------|---|---|---|---|------|
| PART NUMBER   | HOSE BORE | THREAD      | DIMENSIONS mm |      |   |   |   |   |      |
|   | I         | T           | A             | B    | C | D | E | H | L    |
| S018-07-04 (S)                                      | 1/4"      | 7/16 – 20   | 27.5          | 13.5 |   |   |   |   | 12.7 |
| S018-08-04 (S)                                      | 1/4"      | 1/2 – 20    | 27.5          | 13.5 |   |   |   |   | 16   |
| S018-09-04 (S)                                      | 1/4"      | 9/16 – 18   | 28.5          | 13.5 |   |   |   |   | 16   |
| S018-09-06 (S)                                      | 3/8"      | 9/16 – 18   | 28.5          | 13.5 |   |   |   |   | 16   |
| S018-12-06 (S)                                      | 3/8"      | 3/4 – 16    | 31.5          | 14.5 |   |   |   |   | 22   |
| S018-14-06 (S)                                      | 3/8"      | 7/8 – 14    | 31.5          | 14.5 |   |   |   |   | 26   |
| S018-12-08 (S)                                      | 1/2"      | 3/4 – 16    | 32            | 15   |   |   |   |   | 22   |
| S018-14-08 (S)                                      | 1/2"      | 7/8 – 14    | 34            | 15   |   |   |   |   | 26   |
| S018-17-08 (S)                                      | 1/2"      | 1-1/16 – 12 | 41            | 18   |   |   |   |   | 29   |
| S018-14-10 (S)                                      | 5/8"      | 7/8 – 14    | 34            | 15   |   |   |   |   | 26   |
| S018-17-10 (S)                                      | 5/8"      | 1-1/16 – 12 | 41            | 18   |   |   |   |   | 29   |
| S018-17-12 (S)                                      | 3/4"      | 1-1/16 – 12 | 42            | 19   |   |   |   |   | 29   |
| S018-19-12 (S)                                      | 3/4"      | 1-3/16 – 12 | 43            | 19   |   |   |   |   | 32   |
| S018-21-12 (S)                                      | 3/4"      | 1-5/16 – 12 | 43            | 19   |   |   |   |   | 35   |
| S018-19-16 (S)                                      | 1"        | 1-3/16 – 12 | 43            | 19.5 |   |   |   |   | 32   |
| S018-21-16 (S)                                      | 1"        | 1-5/16 – 12 | 43.5          | 19.5 |   |   |   |   | 35   |
| S018-26-20 (S)                                      | 1-1/4"    | 1-5/8 – 12  | 48.5          | 27.5 |   |   |   |   | 44   |
| S018-30-24 (S)                                      | 1-1/2"    | 1-7/8 – 12  | 50            | 27.5 |   |   |   |   | 48   |
| S018-40-32 (S)                                      | 2"        | 2-1/2 – 12  | 56            | 24   |   |   |   |   | 65   |

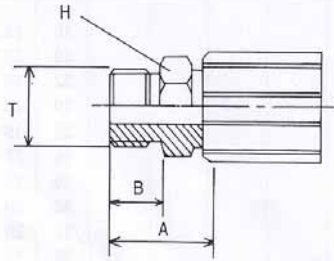
| S018 SERIES – JIC 37° FLARE MALE<br>– MULTISPIRAL TAIL |           |             |               |      |   |   |   |   |    |
|--|-----------|-------------|---------------|------|---|---|---|---|----|
| PART NUMBER  | HOSE BORE | THREAD      | DIMENSIONS mm |      |   |   |   |   |    |
|  | I         | T           | A             | B    | C | D | E | H | L  |
| S018-17-12 (L)   | 3/4"      | 1-1/16 – 12 | 42            | 19   |   |   |   |   | 29 |
| S018-19-12 (L)   | 3/4"      | 1-3/16 – 12 | 43            | 19   |   |   |   |   | 32 |
| S018-21-12 (L)   | 3/4"      | 1-5/16 – 12 | 43            | 19   |   |   |   |   | 35 |
| S018-19-16 (L)   | 1"        | 1-3/16 – 12 | 43            | 19.5 |   |   |   |   | 32 |
| S018-21-16 (L)   | 1"        | 1-5/16 – 12 | 43.5          | 19.5 |   |   |   |   | 35 |
| S018-26-20 (L)   | 1-1/4"    | 1-5/8 – 12  | 48.5          | 27.5 |   |   |   |   | 44 |
| S018-30-24 (L)   | 1-1/2"    | 1-7/8 – 12  | 50            | 27.5 |   |   |   |   | 48 |
| S018-40-32 (L)   | 2"        | 2-1/2 – 12  | 56            | 24   |   |   |   |   | 65 |



[Contents Page](#)

| <b>S019 SERIES – JIC BULKHEAD MALE 37° SEAT ANGLE<br/>– STANDARD TAIL</b> |                  |               |                      |          |          |          |          |          |          |  |
|---|------------------|---------------|----------------------|----------|----------|----------|----------|----------|----------|--|
| <b>PART NUMBER</b>  | <b>HOSE BORE</b> | <b>THREAD</b> | <b>DIMENSIONS mm</b> |          |          |          |          |          |          |  |
|   | <b>I</b>         | <b>T</b>      | <b>A</b>             | <b>B</b> | <b>C</b> | <b>D</b> | <b>E</b> | <b>H</b> | <b>L</b> |  |
| S019-07-04 (S)  | 1/4"             | 7/16 – 20     | 48                   | 14       |          |          |          |          | 12.7     |  |
| S019-08-04 (S)  | 1/4"             | 1/2 – 20      | 48                   | 14       |          |          |          |          | 16       |  |
| S019-09-04 (S)  | 1/4"             | 9/16 – 18     | 48                   | 14       |          |          |          |          | 16       |  |
| S019-10-04 (S)  | 1/4"             | 5/8 – 18      | 48                   | 14       |          |          |          |          | 19       |  |
| S019-10-06 (S)  | 3/8"             | 5/8 – 18      | 47                   | 15       |          |          |          |          | 19       |  |
| S019-12-08 (S)  | 1/2"             | 3/4 – 16      | 50                   | 15       |          |          |          |          | 22       |  |
| S019-17-08 (S)  | 1/2"             | 1-1/16 – 12   | 61                   | 18       |          |          |          |          | 29       |  |
| S019-17-10 (S)  | 5/8"             | 1-1/16 – 12   | 61                   | 18       |          |          |          |          | 29       |  |
| S019-17-12 (S)  | 3/4"             | 1-1/16 – 12   | 61.5                 | 19       |          |          |          |          | 29       |  |
| S019-21-12 (S)  | 3/4"             | 1-5/16 – 12   | 61                   | 19       |          |          |          |          | 35       |  |

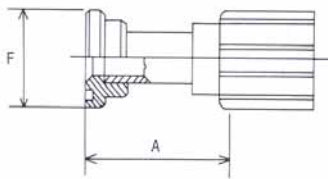
| <b>S019 SERIES – JIC BULKHEAD MALE 37° SEAT ANGLE<br/>– MULTISPIRAL TAIL</b> |                  |               |                      |          |          |          |          |          |          |  |
|--|------------------|---------------|----------------------|----------|----------|----------|----------|----------|----------|--|
| <b>PART NUMBER</b>   | <b>HOSE BORE</b> | <b>THREAD</b> | <b>DIMENSIONS mm</b> |          |          |          |          |          |          |  |
|  | <b>I</b>         | <b>T</b>      | <b>A</b>             | <b>B</b> | <b>C</b> | <b>D</b> | <b>E</b> | <b>H</b> | <b>L</b> |  |
| S019-17-12 (L)   | 3/4"             | 1-1/16 – 12   | 61.5                 | 19       |          |          |          |          | 29       |  |
| S019-21-12 (L)   | 3/4"             | 1-5/16 – 12   | 61                   | 19       |          |          |          |          | 35       |  |



[Contents Page](#)

| S020 SERIES – UN ‘0’ – RING BOSS MALE<br>– STANDARD TAIL |           |             |               |      |   |   |   |    |   |
|--|-----------|-------------|---------------|------|---|---|---|----|---|
| PART NUMBER  | HOSE BORE | THREAD      | DIMENSIONS mm |      |   |   |   |    |   |
|  | I         | T           | A             | B    | C | D | E | H  | L |
| S020-08-04 (S)   | 1/4"      | 1/2 – 20    | 22            | 12.5 |   |   |   | 16 |   |
| S020-08-06 (S)   | 3/8"      | 1/2 – 20    | 22            | 12.5 |   |   |   | 16 |   |
| S020-09-06 (S)   | 3/8"      | 9/16 – 18   | 23.5          | 13.5 |   |   |   | 19 |   |
| S020-12-06 (S)   | 3/8"      | 3/4 – 16    | 26            | 15   |   |   |   | 22 |   |
| S020-14-06 (S)   | 3/8"      | 7/8 – 14    | 28            | 15   |   |   |   | 26 |   |
| S020-12-08 (S)   | 1/2"      | 3/4 – 16    | 26            | 15   |   |   |   | 22 |   |
| S020-14-08 (S)   | 1/2"      | 7/8 – 14    | 28            | 15   |   |   |   | 26 |   |
| S020-17-08 (S)   | 1/2"      | 1-1/16 – 12 | 31            | 16   |   |   |   | 32 |   |
| S020-14-10 (S)   | 5/8"      | 7/8 – 14    | 29.5          | 15   |   |   |   | 26 |   |
| S020-17-10 (S)   | 5/8"      | 1-1/16 – 12 | 30            | 16   |   |   |   | 32 |   |
| S020-17-12 (S)   | 3/4"      | 1-1/16 – 12 | 32            | 16   |   |   |   | 32 |   |
| S020-19-12 (S)   | 3/4"      | 1-3/16 – 12 | 32            | 17   |   |   |   | 35 |   |
| S020-21-12 (S)   | 3/4"      | 1-5/16 – 12 | 32.5          | 17.5 |   |   |   | 38 |   |
| S020-21-16 (S)   | 1"        | 1-5/16 – 12 | 32.5          | 17.5 |   |   |   | 38 |   |
| S020-26-20 (S)   | 1-1/4"    | 1-5/8 – 12  | 36.5          | 17.5 |   |   |   | 48 |   |
| S020-30-24 (S)   | 1-1/2"    | 1-7/8 – 12  | 38            | 17.5 |   |   |   | 56 |   |
| S020-40-32 (S)   | 2"        | 2-1/2 – 12  | 39.5          | 17.5 |   |   |   | 70 |   |

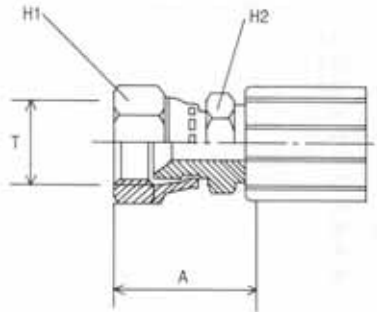
| S020 SERIES – UN ‘0’ – RING BOSS MALE<br>– MULTISPIRAL TAIL |           |             |               |      |   |   |   |    |   |
|---|-----------|-------------|---------------|------|---|---|---|----|---|
| PART NUMBER   | HOSE BORE | THREAD      | DIMENSIONS mm |      |   |   |   |    |   |
|   | I         | T           | A             | B    | C | D | E | H  | L |
| S020-17-12 (L)  | 3/4"      | 1-1/16 – 12 | 32            | 16   |   |   |   | 32 |   |
| S020-19-12 (L)  | 3/4"      | 1-3/16 – 12 | 32            | 17   |   |   |   | 35 |   |
| S020-21-12 (L)  | 3/4"      | 1-5/16 – 12 | 32.5          | 17.5 |   |   |   | 38 |   |
| S020-21-16 (L)  | 1"        | 1-5/16 – 12 | 32.5          | 17.5 |   |   |   | 38 |   |
| S020-26-20 (L)  | 1-1/4"    | 1-5/8 – 12  | 36.5          | 17.5 |   |   |   | 48 |   |
| S020-30-24 (L)  | 1-1/2"    | 1-7/8 – 12  | 38            | 17.5 |   |   |   | 56 |   |
| S020-40-32 (L)  | 2"        | 2-1/2 – 12  | 39.5          | 17.5 |   |   |   | 70 |   |



[Contents Page](#)

| <b>S023 SERIES – SAE STRAIGHT FLANGE SOLID PIECE<br/>– STANDARD TAIL</b> |                  |               |                      |          |          |          |          |          |                        |    |
|--|------------------|---------------|----------------------|----------|----------|----------|----------|----------|------------------------|----|
| <b>PART NUMBER</b>   | <b>HOSE BORE</b> | <b>FLANGE</b> | <b>DIMENSIONS mm</b> |          |          |          |          |          |                        |    |
|  | <b>I</b>         | <b>F</b>      | <b>A</b>             | <b>B</b> | <b>C</b> | <b>D</b> | <b>E</b> | <b>H</b> | <b>SAE J1518C CODE</b> |    |
| S023-08-08 (VS)  | 1/2"             | 30            | 53                   |          |          |          |          |          |                        | 61 |
| S023-10-08 (VS)  | 1/2"             | 34            | 53                   |          |          |          |          |          |                        | 61 |
| S023-10-10 (VS)  | 5/8"             | 34            | 53                   |          |          |          |          |          |                        | 61 |
| S023-12-08 (VS)  | 1/2"             | 38            | 53                   |          |          |          |          |          |                        | 61 |
| S023-12-10 (VS)  | 5/8"             | 38            | 53                   |          |          |          |          |          |                        | 61 |

| <b>S023 SERIES – SAE STRAIGHT FLANGE SOLID PIECE<br/>– MULTISPIRAL TAIL</b> |                  |               |                      |          |          |          |          |          |                        |    |
|---|------------------|---------------|----------------------|----------|----------|----------|----------|----------|------------------------|----|
| <b>PART NUMBER</b>  | <b>HOSE BORE</b> | <b>FLANGE</b> | <b>DIMENSIONS mm</b> |          |          |          |          |          |                        |    |
|   | <b>I</b>         | <b>F</b>      | <b>A</b>             | <b>B</b> | <b>C</b> | <b>D</b> | <b>E</b> | <b>H</b> | <b>SAE J1518C CODE</b> |    |
| S023-12-12 (VL)   | 3/4"             | 38            | 53                   |          |          |          |          |          |                        | 61 |
| S023-14-12 (VL)   | 3/4"             | 41.4          | 53                   |          |          |          |          |          |                        | 62 |
| S023-16-12 (VL)   | 3/4"             | 44            | 52                   |          |          |          |          |          |                        | 61 |
| S023-18-12 (VL)   | 3/4"             | 48            | 57                   |          |          |          |          |          |                        | 62 |
| S023-16-16 (VL)   | 1"               | 44            | 55                   |          |          |          |          |          |                        | 61 |
| S023-18-16 (VL)   | 1"               | 48            | 62                   |          |          |          |          |          |                        | 62 |
| S023-20-16 (VL)   | 1"               | 50.8          | 57                   |          |          |          |          |          |                        | 61 |
| S023-24-16 (VL)   | 1"               | 60            | 57                   |          |          |          |          |          |                        | 61 |
| S023-20-20 (VL)   | 1-1/4"           | 50.8          | 64                   |          |          |          |          |          |                        | 61 |
| S023-22-20 (VL)   | 1-1/4"           | 54.1          | 64                   |          |          |          |          |          |                        | 62 |
| S023-24-20 (VL)   | 1-1/4"           | 60            | 66                   |          |          |          |          |          |                        | 61 |
| S023-24-24 (VL)   | 1-1/2"           | 60            | 66                   |          |          |          |          |          |                        | 61 |
| S023-26-24 (VL)   | 1-1/2"           | 63.5          | 66                   |          |          |          |          |          |                        | 62 |
| S023-32-32 (VL)   | 2"               | 71.3          | 82                   |          |          |          |          |          |                        | 61 |
| S023-12-12 (VL) L   | 3/4"             | 38            | 93                   |          |          |          |          |          |                        | 61 |
| S023-16-16 (VL) L   | 1"               | 44            | 108                  |          |          |          |          |          |                        | 61 |
| S023-20-16 (VL) L   | 1"               | 50.8          | 108                  |          |          |          |          |          |                        | 61 |



[Contents Page](#)

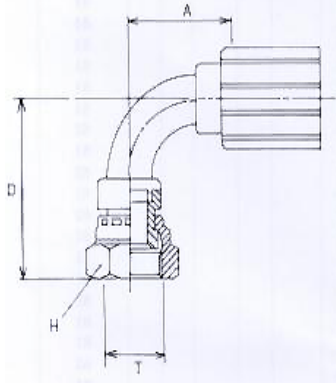
**S026 SERIES – BSP FEMALE INVERTED CONE 30° SEAT ANGLE  
– STANDARD TAIL**

| PART NUMBER      | HOSE BORE | THREAD     | DIMENSIONS mm |   |   |   |   |      |      |  |
|------------------|-----------|------------|---------------|---|---|---|---|------|------|--|
|                  | I         | T          | A             | B | C | D | E | H1   | H2   |  |
| S026-02-04 (S)   | 1/4"      | 1/8 – 28   | 20            |   |   |   |   | 16   | 12.7 |  |
| S026-04-04 (S)   | 1/4"      | 1/4 – 19   | 20            |   |   |   |   | 19   | 12.7 |  |
| S026-06-04 (S)   | 1/4"      | 3/8 – 19   | 21            |   |   |   |   | 22   | 16   |  |
| S026-04-06 (S)   | 3/8"      | 1/4 – 19   | 21            |   |   |   |   | 19   | 16   |  |
| S026-06-06 (S)   | 3/8"      | 3/8 – 19   | 23            |   |   |   |   | 22   | 16   |  |
| S026-08-06 (S)   | 3/8"      | 1/2 – 14   | 25            |   |   |   |   | 26   | 22   |  |
| S026-08-08 (S)   | 1/2"      | 1/2 – 14   | 27            |   |   |   |   | 26   | 22   |  |
| S026-12-08 (S)   | 1/2"      | 3/4 – 14   | 32            |   |   |   |   | 32   | 26   |  |
| S026-12-12 (S)   | 3/4"      | 3/4 – 14   | 31            |   |   |   |   | 32   | 26   |  |
| S026-16-16 (S)   | 1"        | 1" – 11    | 40            |   |   |   |   | 38   | 32   |  |
| S026-20-20 (S)   | 1-1/4"    | 1-1/4 – 11 | 45            |   |   |   |   | 50.8 | 44   |  |
| S026-24-24 • (S) | 1-1/2"    | 1-1/2 – 11 | 45            |   |   |   |   | 57   | 46   |  |
| S026-04-04L (S)  | 1/4"      | 1/4 – 19   | 27            |   |   |   |   | 19   | 12.7 |  |
| S026-06-06L (S)  | 3/8"      | 3/8 – 19   | 29            |   |   |   |   | 22   | 16   |  |
| S026-08-08L (S)  | 1/2"      | 1/2 – 14   | 30            |   |   |   |   | 26   | 22   |  |

**S026 SERIES – BSP FEMALE INVERTED CONE 30° SEAT ANGLE  
– MULTISPIRAL TAIL**

| PART NUMBER      | HOSE BORE | THREAD     | DIMENSIONS mm |   |   |   |   |      |    |  |
|------------------|-----------|------------|---------------|---|---|---|---|------|----|--|
|                  | I         | T          | A             | B | C | D | E | H1   | H2 |  |
| S026-12-12 (L)   | 3/4"      | 3/4 – 14   | 31            |   |   |   |   | 32   | 26 |  |
| S026-16-16 (L)   | 1"        | 1" – 11    | 40            |   |   |   |   | 38   | 32 |  |
| S026-20-20 • (L) | 1-1/4"    | 1-1/4 – 11 | 45            |   |   |   |   | 50.8 | 44 |  |
| S026-24-24 • (L) | 1-1/2"    | 1-1/2 – 11 | 45            |   |   |   |   | 57   | 46 |  |
| S026-12-12HD (L) | 3/4"      | 3/4 – 14   | 34            |   |   |   |   | 35   | 26 |  |
| S026-16-16HD (L) | 1"        | 1" – 11    | 38            |   |   |   |   | 44   | 32 |  |

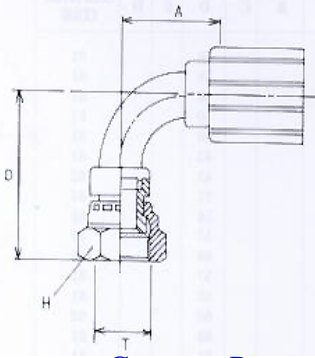




[Contents Page](#)

| <b>S051 SERIES – BSP 90° SWEPT ELBOW (SOLID PIECE)<br/>– STANDARD TAIL</b> |                  |               |          |          |          |          |          |          |          |  |
|--|------------------|---------------|----------|----------|----------|----------|----------|----------|----------|--|
| <b>PART NUMBER</b>   | <b>HOSE BORE</b> | <b>THREAD</b> |          |          |          |          |          |          |          |  |
|  | <b>I</b>         | <b>T</b>      | <b>A</b> | <b>B</b> | <b>C</b> | <b>D</b> | <b>E</b> | <b>H</b> | <b>L</b> |  |
| S051-04-04 (VS)  | 1/4"             | 1/4 – 19      | 27.5     |          |          | 38.5     |          | 19       |          |  |
| S051-06-06 (VS)  | 3/8"             | 3/8 – 19      | 32       |          |          | 44       |          | 22       |          |  |
| S051-08-06 (VS)  | 3/8"             | 1/2 – 14      | 32       |          |          | 44       |          | 26       |          |  |
| S051-08-08 (VS)  | 1/2"             | 1/2 – 14      | 39       |          |          | 53       |          | 26       |          |  |
| S051-10-10 (VS)  | 5/8"             | 5/8 – 14      | 44       |          |          | 61       |          | 29       |          |  |
| S051-12-12 (VS)  | 3/4"             | 3/4 – 14      | 50       |          |          | 64       |          | 32       |          |  |
| S051-16-16 (VS)  | 1"               | 1" – 11       | 63       |          |          | 80       |          | 38       |          |  |
| S051-20-20 (VS)  | 1-1/4"           | 1-1/4 – 11    | 69       |          |          | 92       |          | 50.8     |          |  |
| S051-24-24 • (VS)  | 1-1/2"           | 1-1/2 – 11    | 82       |          |          | 98       |          | 57       |          |  |
| S051-32-32 • (VS)  | 2"               | 2" – 11       | 108      |          |          | 102      |          | 70       |          |  |

| <b>S051 SERIES – BSP 90° SWEPT ELBOW (SOLID PIECE)<br/>– MULTISPIRAL TAIL</b> |                  |               |                      |          |          |          |          |          |          |  |
|---|------------------|---------------|----------------------|----------|----------|----------|----------|----------|----------|--|
| <b>PART NUMBER</b>  | <b>HOSE BORE</b> | <b>THREAD</b> | <b>DIMENSIONS mm</b> |          |          |          |          |          |          |  |
|   | <b>I</b>         | <b>T</b>      | <b>A</b>             | <b>B</b> | <b>C</b> | <b>D</b> | <b>E</b> | <b>H</b> | <b>L</b> |  |
| S051-12-12 (VL)   | 3/4"             | 3/4 – 14      | 50                   |          |          | 64       |          | 32       |          |  |
| S051-16-16 (VL)   | 1"               | 1" – 11       | 63                   |          |          | 80       |          | 38       |          |  |
| S051-20-20 (VL)   | 1-1/4"           | 1-1/4 – 11    | 69                   |          |          | 92       |          | 50.8     |          |  |
| S051-24-24 • (VL)   | 1-1/2"           | 1-1/2 – 11    | 82                   |          |          | 98       |          | 57       |          |  |
| S051-32-32 • (VL)   | 2"               | 2" – 11       | 108                  |          |          | 102      |          | 70       |          |  |



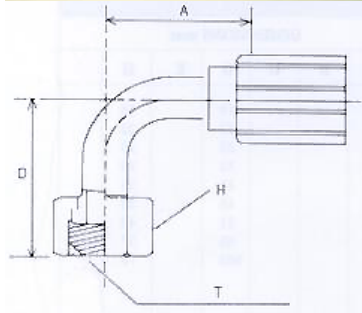
[Contents Page](#)

**S055 SERIES – JIC 90° SWEEP ELBOW 37° SEAT ANGLE (SOLID PIECE)  
– STANDARD TAIL**

| PART NUMBER     | HOSE BORE | THREAD      | DIMENSIONS mm |   |   |      |   |      |   |
|-----------------|-----------|-------------|---------------|---|---|------|---|------|---|
|                 | I         | T           | A             | B | C | D    | E | H    | L |
| S055-07-04 (VS) | 1/4"      | 7/16 – 20   | 27.5          |   |   | 41   |   | 16   |   |
| S055-08-04 (VS) | 1/4"      | 1/2 – 20    | 27.5          |   |   | 42   |   | 19   |   |
| S055-09-04 (VS) | 1/4"      | 9/16 – 18   | 27.5          |   |   | 42   |   | 19   |   |
| S055-09-06 (VS) | 3/8"      | 9/16 – 18   | 31.5          |   |   | 44.5 |   | 19   |   |
| S055-12-06 (VS) | 3/8"      | 3/4 – 16    | 31.5          |   |   | 47   |   | 22   |   |
| S055-12-08 (VS) | 1/2"      | 3/4 – 16    | 39            |   |   | 54   |   | 22   |   |
| S055-14-08 (VS) | 1/2"      | 7/8 – 14    | 39            |   |   | 54   |   | 26   |   |
| S055-17-08 (VS) | 1/2"      | 1-1/16 – 12 | 39            |   |   | 52   |   | 32   |   |
| S055-14-10 (VS) | 5/8"      | 7/8 – 14    | 44.5          |   |   | 58.5 |   | 26   |   |
| S055-17-10 (VS) | 5/8"      | 1-1/16 – 12 | 44.5          |   |   | 64.5 |   | 32   |   |
| S055-17-12 (VS) | 3/4"      | 1-1/16 – 12 | 51.5          |   |   | 65   |   | 32   |   |
| S055-19-12 (VS) | 3/4"      | 1-3/16 – 12 | 51.5          |   |   | 67.5 |   | 35   |   |
| S055-21-12 (VS) | 3/4"      | 1-5/16 – 12 | 51.5          |   |   | 74.5 |   | 38   |   |
| S055-21-16 (VS) | 1"        | 1-5/16 – 12 | 63            |   |   | 83   |   | 38   |   |
| S055-26-20 (VS) | 1-1/4"    | 1-5/8 – 12  | 65            |   |   | 89.5 |   | 50.8 |   |
| S055-30-24 (VS) | 1-1/2"    | 1-7/8 – 12  | 81.5          |   |   | 102  |   | 57   |   |
| S055-40-32 (VS) | 2"        | 2-1/2 – 12  | 102           |   |   | 123  |   | 70   |   |

**S055 SERIES – JIC 90° SWEEP ELBOW 37° SEAT ANGLE (SOLID PIECE)  
– MULTISPIRAL TAIL**

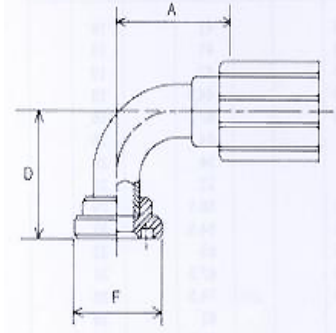
| PART NUMBER     | HOSE BORE | THREAD      | DIMENSIONS mm |   |   |      |   |      |   |
|-----------------|-----------|-------------|---------------|---|---|------|---|------|---|
|                 | I         | T           | A             | B | C | D    | E | H    | L |
| S055-17-12 (VL) | 3/4"      | 1-1/16 – 12 | 51.5          |   |   | 65   |   | 32   |   |
| S055-19-12 (VL) | 3/4"      | 1-3/16 – 12 | 51.5          |   |   | 67.5 |   | 35   |   |
| S055-21-12 (VL) | 3/4"      | 1-5/16 – 12 | 51.5          |   |   | 74.5 |   | 38   |   |
| S055-21-16 (VL) | 1"        | 1-5/16 – 12 | 63            |   |   | 83   |   | 38   |   |
| S055-26-20 (VL) | 1-1/4"    | 1-5/8 – 12  | 65            |   |   | 89.5 |   | 50.8 |   |
| S055-30-24 (VL) | 1-1/2"    | 1-7/8 – 12  | 81.5          |   |   | 102  |   | 57   |   |
| S055-40-32 (VL) | 2"        | 2-1/2 – 12  | 102           |   |   | 123  |   | 70   |   |



[Contents Page](#)

| <b>S056 SERIES – ORS FEMALE SWIVEL 90° ELBOW (SOLID PIECE)<br/>– STANDARD TAIL</b> |                  |               |                      |          |          |          |          |          |          |  |
|--|------------------|---------------|----------------------|----------|----------|----------|----------|----------|----------|--|
| <b>PART NUMBER</b>   | <b>HOSE BORE</b> | <b>THREAD</b> | <b>DIMENSIONS mm</b> |          |          |          |          |          |          |  |
|  | <b>I</b>         | <b>T</b>      | <b>A</b>             | <b>B</b> | <b>C</b> | <b>D</b> | <b>E</b> | <b>H</b> | <b>L</b> |  |
| S056-09-04 (VS)  | 1/4"             | 9/16 – 18     | 33                   |          |          | 33       |          | 19       |          |  |
| S056-11-06 (VS)  | 3/8"             | 11/16 – 16    | 34                   |          |          | 41.5     |          | 22       |          |  |
| S056-13-08 (VS)  | 1/2"             | 13/16 – 16    | 37.5                 |          |          | 50.5     |          | 26       |          |  |
| S056-16-10 (VS)  | 5/8"             | 1 – 14        | 47                   |          |          | 50.5     |          | 32       |          |  |
| S056-19-12 (VS)  | 3/4"             | 13/16 – 12    | 51                   |          |          | 66       |          | 35       |          |  |
| S056-23-16 (VS)  | 1"               | 1-7/16 – 12   | 60                   |          |          | 76       |          | 44       |          |  |
| S056-27-20 (VS)  | 1-1/4"           | 1-11/16 – 12  | 74                   |          |          | 78       |          | 48       |          |  |
| S056-32-24 (VS)  | 1-1/2"           | 2 – 12        | 83                   |          |          | 87       |          | 57       |          |  |

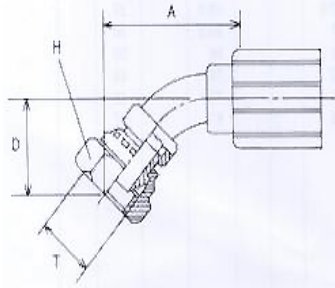
| <b>S056 SERIES – ORS FEMALE SWIVEL 90° ELBOW (SOLID PIECE)<br/>– MULTISPICAL TAIL</b> |                  |               |                      |          |          |          |          |          |          |  |
|---|------------------|---------------|----------------------|----------|----------|----------|----------|----------|----------|--|
| <b>PART NUMBER</b>  | <b>HOSE BORE</b> | <b>THREAD</b> | <b>DIMENSIONS mm</b> |          |          |          |          |          |          |  |
|   | <b>I</b>         | <b>T</b>      | <b>A</b>             | <b>B</b> | <b>C</b> | <b>D</b> | <b>E</b> | <b>H</b> | <b>L</b> |  |
| S056-19-12 (VL)   | 3/4"             | 13/16 – 12    | 51                   |          |          | 66       |          | 35       |          |  |
| S056-23-16 (VL)   | 1"               | 1-7/16 – 12   | 60                   |          |          | 76       |          | 44       |          |  |
| S056-27-20 (VL)   | 1-1/4"           | 1-11/16 – 12  | 74                   |          |          | 78       |          | 48       |          |  |
| S056-32-24 (VL)   | 1-1/2"           | 2 – 12        | 83                   |          |          | 87       |          | 57       |          |  |



[Contents Page](#)

| <b>S059 SERIES – SAE 90° SWEPT ELBOW FLANGE (SOLID PIECE)</b> |                  |               |                      |          |          |          |          |          |                       |  |
|---|------------------|---------------|----------------------|----------|----------|----------|----------|----------|-----------------------|--|
| <b>– STANDARD TAIL</b>  |                  |               |                      |          |          |          |          |          |                       |  |
| <b>PART NUMBER</b>  | <b>HOSE BORE</b> | <b>FLANGE</b> | <b>DIMENSIONS mm</b> |          |          |          |          |          |                       |  |
|   | <b>I</b>         | <b>F</b>      | <b>A</b>             | <b>B</b> | <b>C</b> | <b>D</b> | <b>E</b> | <b>H</b> | <b>SAE J518C CODE</b> |  |
| S059-08-08 (VS)   | 1/2"             | 30            | 39                   |          |          | 36       |          |          | 61                    |  |
| S059-10-08 (VS)   | 1/2"             | 34            | 39                   |          |          | 36       |          |          | 61                    |  |
| S059-12-08 (VS)   | 1/2"             | 38            | 39                   |          |          | 36       |          |          | 61                    |  |
| S059-10-10 (VS)   | 5/8"             | 34            | 43                   |          |          | 40       |          |          | 61                    |  |
| S059-12-10 (VS)   | 5/8"             | 38            | 43                   |          |          | 40       |          |          | 61                    |  |

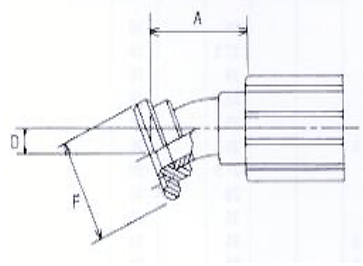
| <b>S059 SERIES – SAE 90° SWEPT ELBOW FLANGE (SOLID PIECE)</b> |                  |               |                      |          |          |          |          |          |                       |  |
|---|------------------|---------------|----------------------|----------|----------|----------|----------|----------|-----------------------|--|
| <b>– MULTISPIRAL TAIL</b>                                     |                  |               |                      |          |          |          |          |          |                       |  |
| <b>PART NUMBER</b>  | <b>HOSE BORE</b> | <b>FLANGE</b> | <b>DIMENSIONS mm</b> |          |          |          |          |          |                       |  |
|   | <b>I</b>         | <b>F</b>      | <b>A</b>             | <b>B</b> | <b>C</b> | <b>D</b> | <b>E</b> | <b>H</b> | <b>SAE J518C CODE</b> |  |
| S059-12-12 (VL)   | 3/4"             | 38            | 51                   |          |          | 43       |          |          | 61                    |  |
| S059-14-12 (VL)   | 3/4"             | 41.4          | 51                   |          |          | 43       |          |          | 62                    |  |
| S059-16-12 (VL)   | 3/4"             | 44            | 46                   |          |          | 52       |          |          | 61                    |  |
| S059-18-12 (VL)   | 3/4"             | 48            | 43                   |          |          | 54       |          |          | 62                    |  |
| S059-16-16 (VL)   | 1"               | 44            | 61                   |          |          | 57       |          |          | 61                    |  |
| S059-18-16 (VL)   | 1"               | 48            | 61                   |          |          | 64       |          |          | 62                    |  |
| S059-20-16 (VL)   | 1"               | 50.8          | 65                   |          |          | 57       |          |          | 61                    |  |
| S059-20-20 (VL)   | 1-1/4"           | 50.8          | 65                   |          |          | 60       |          |          | 61                    |  |
| S059-22-20 (VL)   | 1-1/4"           | 54.1          | 65                   |          |          | 60       |          |          | 62                    |  |
| S059-24-20 (VL)   | 1-1/4"           | 60            | 65                   |          |          | 68       |          |          | 61                    |  |
| S059-24-24 (VL)   | 1-1/2"           | 60            | 82                   |          |          | 81       |          |          | 61                    |  |
| S059-32-32 (VL)   | 2"               | 71.3          | 110                  |          |          | 91       |          |          | 61                    |  |
| S059-12-12 (VL) L   | 3/4"             | 38            | 52                   |          |          | 86       |          |          | 61                    |  |
| S059-16-12 (VL) L   | 3/4"             | 44            | 52                   |          |          | 86       |          |          | 61                    |  |
| S059-16-16 (VL) L   | 1"               | 44            | 64                   |          |          | 98       |          |          | 61                    |  |
| S059-20-16 (VL) L   | 1"               | 50.8          | 64                   |          |          | 100      |          |          | 61                    |  |



[Contents Page](#)

| <b>S060 SERIES – BSP 45° SWEPT ELBOW (SOLID PIECE)<br/>– STANDARD TAIL</b> |                  |               |                      |          |          |          |          |          |          |
|--|------------------|---------------|----------------------|----------|----------|----------|----------|----------|----------|
| <b>PART NUMBER</b>   | <b>HOSE BORE</b> | <b>THREAD</b> | <b>DIMENSIONS mm</b> |          |          |          |          |          |          |
|  | <b>I</b>         | <b>T</b>      | <b>A</b>             | <b>B</b> | <b>C</b> | <b>D</b> | <b>E</b> | <b>H</b> | <b>L</b> |
| S060-04-04 (VS)  | 1/4"             | 1/4 – 19      | 45                   |          |          | 18       |          | 19       |          |
| S060-06-06 (VS)  | 3/8"             | 3/8 – 19      | 46                   |          |          | 23       |          | 22       |          |
| S060-08-08 (VS)  | 1/2"             | 1/2 – 14      | 60                   |          |          | 29       |          | 26       |          |
| S060-10-10 (VS)  | 5/8"             | 5/8 – 14      | 63                   |          |          | 32       |          | 29       |          |
| S060-12-12 (VS)  | 3/4"             | 3/4 – 14      | 67                   |          |          | 41       |          | 32       |          |
| S060-16-16 (VS)  | 1"               | 1" – 11       | 79                   |          |          | 48       |          | 38       |          |
| S060-20-20 (VS)  | 1-1/4"           | 1-1/4 – 11    | 92                   |          |          | 51       |          | 50.8     |          |
| S060-24-24 • (VS)  | 1-1/2"           | 1-1/2 – 11    | 98                   |          |          | 55       |          | 57       |          |
| S060-32-32 • (VS)  | 2"               | 2" – 11       | 63                   |          |          | 103      |          | 70       |          |

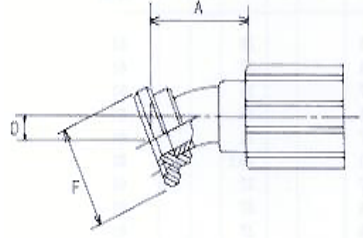
| <b>S060 SERIES – BSP 45° SWEPT ELBOW (SOLID PIECE)<br/>– MULTISPIRAL TAIL</b> |                  |               |                      |          |          |          |          |          |          |
|---|------------------|---------------|----------------------|----------|----------|----------|----------|----------|----------|
| <b>PART NUMBER</b>  | <b>HOSE BORE</b> | <b>THREAD</b> | <b>DIMENSIONS mm</b> |          |          |          |          |          |          |
|   | <b>I</b>         | <b>T</b>      | <b>A</b>             | <b>B</b> | <b>C</b> | <b>D</b> | <b>E</b> | <b>H</b> | <b>L</b> |
| S060-12-12 (VL)   | 3/4"             | 3/4 – 14      | 67                   |          |          | 41       |          | 32       |          |
| S060-16-16 (VL)   | 1"               | 1" – 11       | 79                   |          |          | 48       |          | 38       |          |
| S060-20-20 (VL)   | 1-1/4"           | 1-1/4 – 11    | 92                   |          |          | 51       |          | 50.8     |          |
| S060-24-24 • (VL)   | 1-1/2"           | 1-1/2 – 11    | 98                   |          |          | 55       |          | 57       |          |
| S060-32-32 • (VL)   | 2"               | 2" – 11       | 63                   |          |          | 103      |          | 70       |          |



[Contents Page](#)

| S062 SERIES – SAE 22-1/2° SWEPT ELBOW FLANGE (SOLID PIECE)<br>– STANDARD TAIL |           |        |               |   |   |   |   |   |               |
|---|-----------|--------|---------------|---|---|---|---|---|---------------|
| PART NUMBER   | HOSE BORE | FLANGE | DIMENSIONS mm |   |   |   |   |   |               |
|   | I         | F      | A             | B | C | D | E | H | SAE 518C CODE |
| S062-08-08 (VS)   | 1/2"      | 30     | 41            |   |   | 9 |   |   | 61            |
| S062-12-08 (VS)   | 1/2"      | 38     | 43            |   |   | 9 |   |   | 61            |

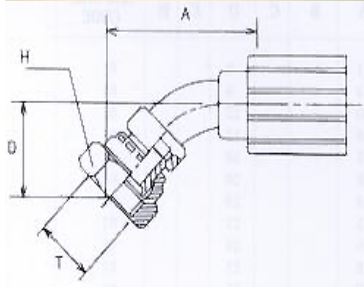
| S062 SERIES – SAE 22-1/2° SWEPT ELBOW FLANGE (SOLID PIECE)<br>– MULTISPIRAL TAIL |           |        |               |   |   |    |   |   |               |
|--|-----------|--------|---------------|---|---|----|---|---|---------------|
| PART NUMBER  | HOSE BORE | FLANGE | DIMENSIONS mm |   |   |    |   |   |               |
|  | I         | F      | A             | B | C | D  | E | H | SAE 518C CODE |
| S062-12-12 (VL)  | 3/4"      | 38     | 50            |   |   | 12 |   |   | 61            |
| S062-16-12 (VL)  | 3/4"      | 44     | 48            |   |   | 12 |   |   | 61            |
| S062-16-16 (VL)  | 1"        | 44     | 55            |   |   | 18 |   |   | 61            |
| S062-18-16 (VL)  | 1"        | 48     | 66            |   |   | 20 |   |   | 62            |
| S062-20-16 (VL)  | 1"        | 50.8   | 64            |   |   | 19 |   |   | 61            |
| S062-20-20 (VL)  | 1-1/4"    | 50.8   | 65            |   |   | 21 |   |   | 61            |
| S062-24-20 (VL)  | 1-1/4"    | 60     | 65            |   |   | 24 |   |   | 61            |
| S062-24-24 (VL)  | 1-1/2"    | 60     | 78            |   |   | 21 |   |   | 61            |
| S062-26-24 (VL)  | 1-1/2"    | 64     | 80            |   |   | 21 |   |   | 62            |
| S062-32-32 (VL)  | 2"        | 71.3   | 81            |   |   | 23 |   |   | 61            |



[Contents Page](#)

| <b>S063 SERIES – SAE 30° SWEPT ELBOW FLANGE (SOLID PIECE)<br/>– STANDARD TAIL</b> |                  |               |                      |          |          |          |          |          |                      |  |
|---|------------------|---------------|----------------------|----------|----------|----------|----------|----------|----------------------|--|
| <b>PART NUMBER</b>  | <b>HOSE BORE</b> | <b>FLANGE</b> | <b>DIMENSIONS mm</b> |          |          |          |          |          |                      |  |
|   | <b>I</b>         | <b>F</b>      | <b>A</b>             | <b>B</b> | <b>C</b> | <b>D</b> | <b>E</b> | <b>H</b> | <b>SAE 518C CODE</b> |  |
| S603-08-08 (VS)   | 1/2"             | 30            | 41                   |          |          | 12       |          |          | 61                   |  |
| S063-12-08 (VS)   | 1/2"             | 38            | 43                   |          |          | 12       |          |          | 61                   |  |

| <b>S063 SERIES – SAE 30° SWEPT ELBOW FLANGE (SOLID PIECE)<br/>– MULTISPIRAL TAIL</b> |                  |               |                      |          |          |          |          |          |                      |  |
|--|------------------|---------------|----------------------|----------|----------|----------|----------|----------|----------------------|--|
| <b>PART NUMBER</b>   | <b>HOSE BORE</b> | <b>FLANGE</b> | <b>DIMENSIONS mm</b> |          |          |          |          |          |                      |  |
|  | <b>I</b>         | <b>F</b>      | <b>A</b>             | <b>B</b> | <b>C</b> | <b>D</b> | <b>E</b> | <b>H</b> | <b>SAE 518C CODE</b> |  |
| S063-12-12 (VL)  | 3/4"             | 38            | 52                   |          |          | 15       |          |          | 61                   |  |
| S063-16-12 (VL)  | 3/4"             | 44            | 52                   |          |          | 15       |          |          | 61                   |  |
| S063-16-16 (VL)  | 1"               | 44            | 60                   |          |          | 21       |          |          | 61                   |  |
| S063-18-16 (VL)  | 1"               | 48            | 68                   |          |          | 23       |          |          | 62                   |  |
| S063-20-16 (VL)  | 1"               | 50.8          | 63                   |          |          | 22       |          |          | 61                   |  |
| S063-20-20 (VL)  | 1-1/4"           | 50.8          | 71                   |          |          | 24       |          |          | 61                   |  |
| S063-24-20 (VL)  | 1-1/4"           | 60            | 71                   |          |          | 28       |          |          | 61                   |  |
| S063-24-24 (VL)  | 1-1/2"           | 60            | 74                   |          |          | 24       |          |          | 61                   |  |
| S063-26-24 (VL)  | 1-1/2"           | 64            | 76                   |          |          | 24       |          |          | 62                   |  |
| S063-32-32 (VL)  | 2"               | 71.3          | 80                   |          |          | 27       |          |          | 61                   |  |



[Contents Page](#)

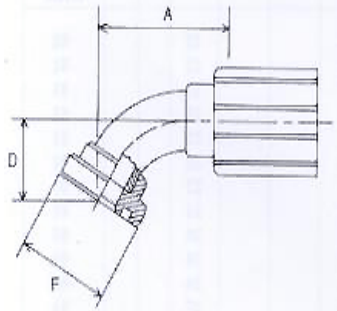
**S064 SERIES – JIC 45° SWEEP ELBOW 37° SEAT ANGLE  
– STANDARD TAIL**

| PART NUMBER       | HOSE BORE | THREAD      | DIMENSIONS mm |   |   |      |   |      |   |  |
|-------------------|-----------|-------------|---------------|---|---|------|---|------|---|--|
|                   | I         | T           | A             | B | C | D    | E | H    | L |  |
| S064-07-04 (VS)   | 1/4"      | 7/16 – 20   | 43            |   |   | 16   |   | 16   |   |  |
| S064-08-04 (VS)   | 1/4"      | 1/2 – 20    | 43            |   |   | 17.5 |   | 19   |   |  |
| S064-09-04 (VS)   | 1/4"      | 9/16 – 18   | 43            |   |   | 19   |   | 19   |   |  |
| S064-09-06 (VS)   | 3/8"      | 9/16 – 18   | 48            |   |   | 23.5 |   | 19   |   |  |
| S064-12-06 (VS)   | 3/8"      | 3/4 – 16    | 48            |   |   | 25   |   | 22   |   |  |
| S064-12-08 (VS)   | 1/2"      | 3/4 – 16    | 49.5          |   |   | 26   |   | 22   |   |  |
| S064-14-08 (VS)   | 1/2"      | 7/8 – 14    | 51            |   |   | 27.5 |   | 26   |   |  |
| S064-17-08 (VS)   | 1/2"      | 1-1/16 – 12 | 53            |   |   | 29   |   | 32   |   |  |
| S064-17-10 (VS)   | 5/8"      | 1-1/16 – 12 | 58            |   |   | 35   |   | 32   |   |  |
| S064-17-12 (VS)   | 3/4"      | 1-1/16 – 12 | 66.5          |   |   | 45   |   | 32   |   |  |
| S064-21-16 (VS)   | 1"        | 1-5/16 – 12 | 85.5          |   |   | 55   |   | 38   |   |  |
| S064-26-20 (VS)   | 1-1/4"    | 1-5/8 – 12  | 94.5          |   |   | 51   |   | 50.8 |   |  |
| S064-30-24 • (VS) | 1-1/2"    | 1-7/8 – 12  | 98            |   |   | 51   |   | 57   |   |  |
| S064-09-06 (VS) L | 3/8"      | 9/16 – 18   | 71            |   |   | 42   |   | 19   |   |  |
| S064-17-08 (VS) L | 1/2"      | 1-1/16 – 12 | 81.5          |   |   | 54   |   | 32   |   |  |
| S064-17-10 (VS) L | 5/8"      | 1-1/16 – 12 | 81.5          |   |   | 54   |   | 32   |   |  |

**S064 SERIES – JIC 45° SWEEP ELBOW 37° SEAT ANGLE  
– MULTISPIRAL TAIL**

| PART NUMBER       | HOSE BORE | THREAD      | DIMENSIONS mm |   |   |    |   |      |   |  |
|-------------------|-----------|-------------|---------------|---|---|----|---|------|---|--|
|                   | I         | T           | A             | B | C | D  | E | H    | L |  |
| S064-17-12 (VL)   | 3/4"      | 1-1/16 – 12 | 66.5          |   |   | 45 |   | 32   |   |  |
| S064-21-16 (VL)   | 1"        | 1-5/16 – 12 | 85.5          |   |   | 55 |   | 38   |   |  |
| S064-26-20 (VL)   | 1-1/4"    | 1-5/8 – 12  | 94.5          |   |   | 51 |   | 50.8 |   |  |
| S064-30-24 • (VL) | 1-1/2"    | 1-7/8 – 12  | 98            |   |   | 51 |   | 57   |   |  |

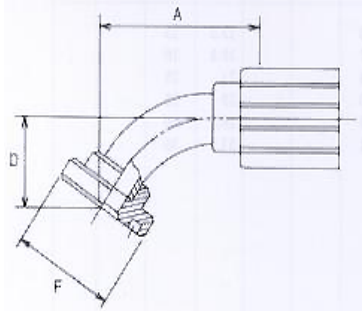




[Contents Page](#)

| <b>S066 SERIES – SAE 60° SWEEP ELBOW FLANGE (SOLID PIECE)<br/>– STANDARD TAIL</b> |                      |               |                      |          |          |          |          |          |                          |  |
|---|----------------------|---------------|----------------------|----------|----------|----------|----------|----------|--------------------------|--|
| <b>PART<br/>NUMBER</b>  | <b>HOSE<br/>BORE</b> | <b>FLANGE</b> | <b>DIMENSIONS mm</b> |          |          |          |          |          |                          |  |
|   | <b>I</b>             | <b>F</b>      | <b>A</b>             | <b>B</b> | <b>C</b> | <b>D</b> | <b>E</b> | <b>H</b> | <b>SAE 518C<br/>CODE</b> |  |
| S066-08-08 (VS)   | 1/2"                 | 30            | 43                   |          |          | 26       |          |          | 61                       |  |
| S066-12-08 (VS)   | 1/2"                 | 38            | 44                   |          |          | 27       |          |          | 61                       |  |

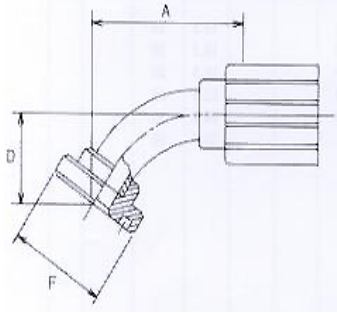
| <b>S066 SERIES – SAE 60° SWEEP ELBOW FLANGE (SOLID PIECE)<br/>– MULTIPIRAL TAIL</b> |                      |               |                      |          |          |          |          |          |                          |  |
|---|----------------------|---------------|----------------------|----------|----------|----------|----------|----------|--------------------------|--|
| <b>PART<br/>NUMBER</b>  | <b>HOSE<br/>BORE</b> | <b>FLANGE</b> | <b>DIMENSIONS mm</b> |          |          |          |          |          |                          |  |
|   | <b>I</b>             | <b>F</b>      | <b>A</b>             | <b>B</b> | <b>C</b> | <b>D</b> | <b>E</b> | <b>H</b> | <b>SAE 518C<br/>CODE</b> |  |
| S066-12-12 (VL)   | 3/4"                 | 38            | 57                   |          |          | 35       |          |          | 61                       |  |
| S066-16-12 (VL)   | 3/4"                 | 44            | 54                   |          |          | 33       |          |          | 61                       |  |
| S066-16-16 (VL)   | 1"                   | 44            | 67                   |          |          | 36       |          |          | 61                       |  |
| S066-18-16 (VL)   | 1"                   | 48            | 70                   |          |          | 40.5     |          |          | 62                       |  |
| S066-20-16 (VL)   | 1"                   | 50.8          | 67                   |          |          | 37       |          |          | 61                       |  |
| S066-20-20 (VL)   | 1-1/4"               | 50.8          | 74                   |          |          | 37       |          |          | 61                       |  |
| S066-24-20 (VL)   | 1-1/4"               | 60            | 76                   |          |          | 37       |          |          | 61                       |  |
| S066-24-24 (VL)   | 1-1/2"               | 60            | 88                   |          |          | 45       |          |          | 61                       |  |
| S066-32-32 (VL)   | 2"                   | 71.3          | 105                  |          |          | 57       |          |          | 61                       |  |



[Contents Page](#)

| <b>S067 SERIES – SAE 67-1/2° SWEEP ELBOW FLANGE (SOLID PIECE)<br/>– STANDARD TAIL</b> |           |        |               |   |   |    |   |   |               |  |
|---|-----------|--------|---------------|---|---|----|---|---|---------------|--|
| PART NUMBER   | HOSE BORE | FLANGE | DIMENSIONS mm |   |   |    |   |   |               |  |
|   | I         | F      | A             | B | C | D  | E | H | SAE 518C CODE |  |
| S067-08-08 (VS)   | 1/2"      | 30     | 43            |   |   | 21 |   |   | 61            |  |
| S067-12-08 (VS)   | 1/2"      | 38     | 45            |   |   | 22 |   |   | 61            |  |

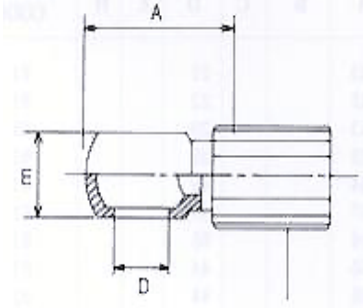
| <b>S067 SERIES – SAE 67-1/2° SWEEP ELBOW FLANGE (SOLID PIECE)<br/>– MULTISPIRAL TAIL</b> |           |        |               |   |   |      |   |   |               |  |
|--|-----------|--------|---------------|---|---|------|---|---|---------------|--|
| PART NUMBER  | HOSE BORE | FLANGE | DIMENSIONS mm |   |   |      |   |   |               |  |
|  | I         | F      | A             | B | C | D    | E | H | SAE 518C CODE |  |
| S067-12-12 (VL)  | 3/4"      | 38     | 53            |   |   | 29   |   |   | 61            |  |
| S067-16-12 (VL)  | 3/4"      | 44     | 53            |   |   | 29   |   |   | 61            |  |
| S067-16-16 (VL)  | 1"        | 44     | 64            |   |   | 49   |   |   | 61            |  |
| S067-18-16 (VL)  | 1"        | 48     | 67            |   |   | 53.5 |   |   | 62            |  |
| S067-20-16 (VL)  | 1"        | 50.8   | 64            |   |   | 66   |   |   | 61            |  |
| S067-20-20 (VL)  | 1-1/4"    | 50.8   | 68            |   |   | 44   |   |   | 61            |  |
| S067-24-20 (VL)  | 1-1/4"    | 60     | 68            |   |   | 44   |   |   | 61            |  |
| S067-24-24 (VL)  | 1-1/2"    | 60     | 70            |   |   | 46   |   |   | 61            |  |
| S067-32-32 (VL)  | 2"        | 71.3   | 107           |   |   | 65   |   |   | 61            |  |



[Contents Page](#)

| <b>S068 SERIES – SAE 45° SWEEP ELBOW FLANGE (SOLID PIECE)</b> |           |        |               |   |   |    |   |   |               |  |
|---|-----------|--------|---------------|---|---|----|---|---|---------------|--|
| <b>– STANDARD TAIL</b>  |           |        |               |   |   |    |   |   |               |  |
| PART NUMBER   | HOSE BORE | FLANGE | DIMENSIONS mm |   |   |    |   |   |               |  |
|   | I         | F      | A             | B | C | D  | E | H | SAE 518C CODE |  |
| S068-08-08 (VS)   | 1/2"      | 30     | 42            |   |   | 13 |   |   | 61            |  |
| S068-12-08 (VS)   | 1/2"      | 38     | 43            |   |   | 15 |   |   | 61            |  |
| S068-10-10 (VS)   | 5/8"      | 34     | 54            |   |   | 18 |   |   | 61            |  |

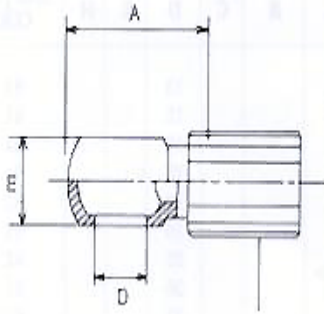
| <b>S068 SERIES – SAE 45° SWEEP ELBOW FLANGE (SOLID PIECE)</b> |           |        |               |   |   |    |   |   |               |  |
|---|-----------|--------|---------------|---|---|----|---|---|---------------|--|
| <b>– MULTISPIRAL TAIL</b>                                     |           |        |               |   |   |    |   |   |               |  |
| PART NUMBER   | HOSE BORE | FLANGE | DIMENSIONS mm |   |   |    |   |   |               |  |
|   | I         | F      | A             | B | C | D  | E | H | SAE 518C CODE |  |
| S068-12-12 (VL)   | 3/4"      | 38     | 55            |   |   | 19 |   |   | 61            |  |
| S068-14-12 (VL)   | 3/4"      | 41.4   | 55            |   |   | 19 |   |   | 62            |  |
| S068-16-12 (VL)   | 3/4"      | 44     | 55            |   |   | 19 |   |   | 61            |  |
| S068-18-12 (VL)   | 3/4"      | 48     | 58            |   |   | 25 |   |   | 62            |  |
| S068-16-16 (VL)   | 1"        | 44     | 63            |   |   | 26 |   |   | 61            |  |
| S068-18-16 (VL)   | 1"        | 48     | 73            |   |   | 32 |   |   | 62            |  |
| S068-20-16 (VL)   | 1"        | 50.8   | 68            |   |   | 23 |   |   | 61            |  |
| S068-20-20 (VL)   | 1-1/4"    | 50.8   | 75            |   |   | 31 |   |   | 61            |  |
| S068-22-20 (VL)   | 1-1/4"    | 54.1   | 75            |   |   | 31 |   |   | 62            |  |
| S068-24-20 (VL)   | 1-1/4"    | 60     | 88            |   |   | 25 |   |   | 61            |  |
| S068-24-24 (VL)   | 1-1/2"    | 60     | 87            |   |   | 34 |   |   | 61            |  |
| S068-26-24 (VL)   | 1-1/2"    | 63.4   | 87            |   |   | 34 |   |   | 62            |  |
| S068-32-32 (VL)   | 2"        | 71.3   | 102           |   |   | 44 |   |   | 61            |  |
| S068-12-12 (VL) L   | 3/4"      | 38     | 110           |   |   | 71 |   |   | 61            |  |
| S068-16-16 (VL) L   | 1"        | 44     | 121           |   |   | 87 |   |   | 61            |  |



[Contents Page](#)

| S094 SERIES – BANJO FOR BSP BOLTS<br>– STANDARD TAIL |           |             |               |   |   |      |    |   |   |  |
|--|-----------|-------------|---------------|---|---|------|----|---|---|--|
| PART NUMBER  | HOSE BORE | BOLT THREAD | DIMENSIONS mm |   |   |      |    |   |   |  |
|  | I         | T           | A             | B | C | D    | E  | H | L |  |
| S094-13-04 (S)                                       | 1/4"      | 1/4 – 19    | 33            |   |   | 13.3 | 13 |   |   |  |
| S094-17-06 (S)                                       | 3/8"      | 3/8 – 19    | 37            |   |   | 16.8 | 16 |   |   |  |
| S094-21-08 (S)                                       | 1/2"      | 1/2 – 14    | 44            |   |   | 21   | 25 |   |   |  |
| S094-23-10 (S)                                       | 5/8"      | 5/8 – 14    | 50            |   |   | 23   | 25 |   |   |  |
| S094-27-12 (S)                                       | 3/4"      | 3/4 – 14    | 59            |   |   | 26.5 | 30 |   |   |  |
| S094-33-16 (S)                                       | 1"        | 1" – 11     | 71            |   |   | 33.5 | 36 |   |   |  |

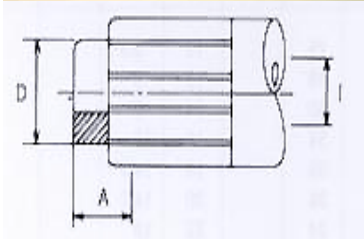
| S094 SERIES – BANJO FOR BSP BOLT<br>– MULTISPIRAL TAIL |           |             |               |   |   |      |    |   |   |  |
|--|-----------|-------------|---------------|---|---|------|----|---|---|--|
| PART NUMBER  | HOSE BORE | BOLT THREAD | DIMENSIONS mm |   |   |      |    |   |   |  |
|  | I         | T           | A             | B | C | D    | E  | H | L |  |
| S094-27-12 (L)   | 3/4"      | 3/4 – 14    | 59            |   |   | 26.5 | 30 |   |   |  |
| S094-33-16 (L)   | 1"        | 1" – 11     | 71            |   |   | 33.5 | 36 |   |   |  |



[Contents Page](#)

| S095 SERIES – BANJO FOR METRIC BOLTS<br>– STANDARD TAIL |           |             |               |   |   |      |    |   |   |
|---|-----------|-------------|---------------|---|---|------|----|---|---|
| PART NUMBER   | HOSE BORE | BOLT THREAD | DIMENSIONS mm |   |   |      |    |   |   |
|   | I         | T           | A             | B | C | D    | E  | H | L |
| S095-10-04 (S)  | 1/4"      | 10 x 1.5    | 31            |   |   | 10.3 | 10 |   |   |
| S095-12-04 (S)  | 1/4"      | 12 x 1.5    | 33            |   |   | 12.3 | 12 |   |   |
| S095-14-04 (S)  | 1/4"      | 14 x 1.5    | 35            |   |   | 14.3 | 14 |   |   |
| S095-14-06 (S)  | 3/8"      | 14 x 1.5    | 35            |   |   | 14.3 | 14 |   |   |
| S095-16-06 (S)  | 3/8"      | 16 x 1.5    | 36            |   |   | 16.3 | 16 |   |   |
| S095-18-08 (S)  | 1/2"      | 18 x 1.5    | 38            |   |   | 18.3 | 20 |   |   |
| S095-22-10 (S)  | 5/8"      | 22 x 1.5    | 50            |   |   | 22.3 | 25 |   |   |
| S095-26-12 (S)  | 3/4"      | 26 x 1.5    | 59            |   |   | 26.3 | 30 |   |   |
| S095-30-16 (S)  | 1"        | 30 x 1.5    | 71            |   |   | 30.3 | 36 |   |   |

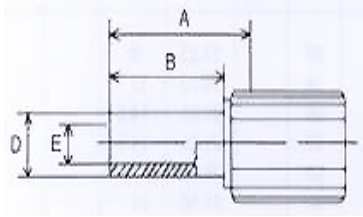
| S095 SERIES – BANJO FOR METRIC BOLTS<br>- MULISPIRAL TAIL |           |             |               |   |   |      |    |   |   |
|---|-----------|-------------|---------------|---|---|------|----|---|---|
| PART NUMBER   | HOSE BORE | BOLT THREAD | DIMENSIONS mm |   |   |      |    |   |   |
|   | I         | T           | A             | B | C | D    | E  | H | L |
| S095-26-12 (L)  | 3/4"      | 26 x 1.5    | 59            |   |   | 26.3 | 30 |   |   |
| S095-30-16 (L)  | 1"        | 30 x 1.5    | 71            |   |   | 30.3 | 36 |   |   |



[Contents Page](#)

| S096 SERIES – LIFESAVER<br>– STANDARD TAIL |           |        |               |   |   |      |   |   |   |
|--|-----------|--------|---------------|---|---|------|---|---|---|
| PART NUMBER                                | HOSE BORE | THREAD | DIMENSIONS mm |   |   |      |   |   |   |
|  | I         | T      | A             | B | C | D    | E | H | L |
| S096-00-04 (S)                             | 1/4"      |        | 13            |   |   | 12.7 |   |   |   |
| S096-00-06 (S)                             | 3/8"      |        | 14.5          |   |   | 16   |   |   |   |
| S096-00-08 (S)                             | 1/2"      |        | 15            |   |   | 19   |   |   |   |
| S096-00-10 (S)                             | 5/8"      |        | 16.5          |   |   | 23   |   |   |   |
| S096-00-12 (S)                             | 3/4"      |        | 18            |   |   | 26   |   |   |   |
| S096-00-16 (S)                             | 1"        |        | 20            |   |   | 32   |   |   |   |
| S096-00-20 (S)                             | 1-1/4"    |        | 24            |   |   | 44   |   |   |   |
| S096-00-24 (S)                             | 1-1/2"    |        | 24            |   |   | 46   |   |   |   |
| S096-00-32 (S)                             | 2"        |        | 25            |   |   | 61   |   |   |   |

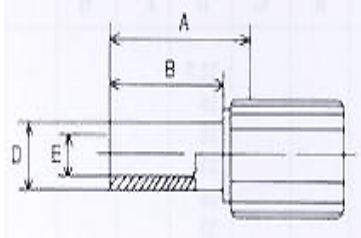
| S096 SERIES – LIFESAVER<br>– MULTISPIRAL TAIL |           |        |               |   |   |    |   |   |   |
|---|-----------|--------|---------------|---|---|----|---|---|---|
| PART NUMBER                                   | HOSE BORE | THREAD | DIMENSIONS mm |   |   |    |   |   |   |
|   | I         | T      | A             | B | C | D  | E | H | L |
| S096-00-12 (L)                                | 3/4"      |        | 18            |   |   | 26 |   |   |   |
| S096-00-16 (L)                                | 1"        |        | 20            |   |   | 32 |   |   |   |
| S096-00-20 (L)                                | 1-1/4"    |        | 24            |   |   | 44 |   |   |   |
| S096-00-24 (L)                                | 1-1/2"    |        | 24            |   |   | 46 |   |   |   |
| S096-00-32 (L)                                | 2"        |        | 25            |   |   | 61 |   |   |   |



[Contents Page](#)

| S097 SERIES – STANDPIPE – LIGHT DUTY<br>– STANDARD TAIL |           |        |               |    |   |    |      |   |   |   |
|---|-----------|--------|---------------|----|---|----|------|---|---|---|
| PART NUMBER   | HOSE BORE | THREAD | DIMENSIONS mm |    |   |    |      |   |   |   |
|   | I         |        | T             | A  | B | C  | D    | E | H | L |
| S097-08-04 (S)  | 1/4"      |        | 29            | 25 |   | 8  | 5.5  |   |   |   |
| S097-10-06 (S)  | 3/8"      |        | 35            | 30 |   | 10 | 7    |   |   |   |
| S097-12-06 (S)  | 3/8"      |        | 35            | 30 |   | 12 | 9    |   |   |   |
| S097-14-08 (S)  | 1/2"      |        | 35            | 30 |   | 14 | 9.5  |   |   |   |
| S097-15-08 (S)  | 1/2"      |        | 35            | 30 |   | 15 | 12   |   |   |   |
| S097-18-10 (S)  | 5/8"      |        | 41            | 36 |   | 18 | 14.5 |   |   |   |

| S097 SERIES – STANDPIPE – LIGHT DUTY<br>– MULTISPIRAL TAIL |           |        |               |    |   |    |    |   |   |   |
|--|-----------|--------|---------------|----|---|----|----|---|---|---|
| PART NUMBER  | HOSE BORE | THREAD | DIMENSIONS mm |    |   |    |    |   |   |   |
|  | I         |        | T             | A  | B | C  | D  | E | H | L |
| S097-20-12 (L)   | 3/4"      |        | 42            | 36 |   | 20 | 15 |   |   |   |
| S097-22-12 (L)   | 3/4"      |        | 40            | 34 |   | 22 | 18 |   |   |   |
| S097-25-16 (L)   | 1"        |        | 45            | 38 |   | 25 | 20 |   |   |   |
| S097-28-16 (L)   | 1"        |        | 47            | 40 |   | 28 | 23 |   |   |   |

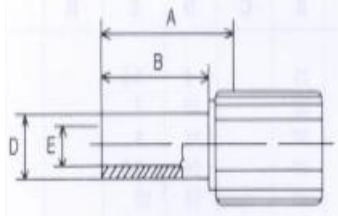


[Contents Page](#)

| S098 SERIES – STANDPIPE – HEAVY DUTY<br>– STANDARD TAIL |           |        |               |    |   |    |      |  |   |
|---|-----------|--------|---------------|----|---|----|------|--|---|
| PART NUMBER   | HOSE BORE | THREAD | DIMENSIONS mm |    |   |    |      |  |   |
|   | I         | T      | A             | B  | C | D  | E    |  | H |
| S098-10-04 (S)  | 1/4"      |        | 29            | 25 |   | 10 | 5.5  |  |   |
| S098-12-04 (S)  | 1/4"      |        | 34            | 30 |   | 12 | 9    |  |   |
| S098-14-06 (S)  | 3/8"      |        | 35            | 30 |   | 14 | 9    |  |   |
| S098-16-08 (S)  | 1/2"      |        | 39            | 34 |   | 16 | 12   |  |   |
| S098-18-08 (S)  | 1/2"      |        | 41            | 36 |   | 18 | 14.5 |  |   |
| S098-20-10 (S)  | 5/8"      |        | 41            | 36 |   | 20 | 14.5 |  |   |
| S098-22-10 (S)  | 5/8"      |        | 39            | 34 |   | 22 | 18   |  |   |
| S098-25-12 (S)  | 3/4"      |        | 44            | 38 |   | 25 | 18   |  |   |
| S098-30-16 (S)  | 1"        |        | 47            | 40 |   | 30 | 23   |  |   |

| S098 SERIES – STANDPIPE – HEAVY DUTY<br>– MULTISPIRAL TAIL |           |        |               |    |   |    |    |  |   |
|--|-----------|--------|---------------|----|---|----|----|--|---|
| PART NUMBER  | HOSE BORE | THREAD | DIMENSIONS mm |    |   |    |    |  |   |
|  | I         | T      | A             | B  | C | D  | E  |  | H |
| S098-25-12 (L)   | 3/4"      |        | 44            | 38 |   | 25 | 18 |  |   |
| S098-30-16 (L)   | 1"        |        | 47            | 40 |   | 30 | 23 |  |   |

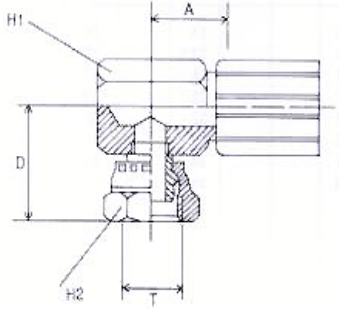




[Contents Page](#)

| S099 SERIES – STANDPIPE – FRENCH TYPE<br>– STANDARD TYPE |           |        |               |    |   |       |      |   |   |  |
|--|-----------|--------|---------------|----|---|-------|------|---|---|--|
| PART NUMBER  | HOSE BORE | THREAD | DIMENSIONS mm |    |   |       |      |   |   |  |
|  | I         | T      | A             | B  | C | D     | E    | H | L |  |
| S099-13-06 (S)   | 3/8"      |        | 35            | 30 |   | 13.25 | 9    |   |   |  |
| S099-17-08 (S)   | 1/2"      |        | 39            | 34 |   | 16.75 | 12   |   |   |  |
| S099-21-08 (S)   | 1/2"      |        | 41            | 36 |   | 21.25 | 14.5 |   |   |  |
| S099-21-10 (S)   | 5/8"      |        | 41            | 36 |   | 21.25 | 14.5 |   |   |  |
| S099-27-12 (S)   | 3/4"      |        | 44            | 38 |   | 26.75 | 20   |   |   |  |
| S099-33-16 (S)   | 1"        |        | 47            | 40 |   | 33.5  | 25   |   |   |  |

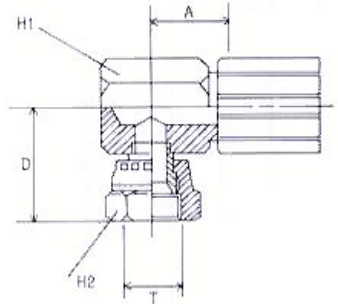
| S099 SERIES – STANDPIPE – FRENCH TYPE<br>– MULTISPIRAL TAIL |           |        |               |    |   |       |    |   |   |  |
|---|-----------|--------|---------------|----|---|-------|----|---|---|--|
| PART NUMBER   | HOSE BORE | THREAD | DIMENSIONS mm |    |   |       |    |   |   |  |
|   | I         | T      | A             | B  | C | D     | E  | H | L |  |
| S099-27-12 (L)  | 3/4"      |        | 44            | 38 |   | 26.75 | 20 |   |   |  |
| S099-33-16 (L)  | 1"        |        | 47            | 40 |   | 33.5  | 25 |   |   |  |



[Contents Page](#)

| <b>S551 SERIES – BSP COMPACT ELBOW<br/>– STANDARD TAIL</b> |                      |               |                      |          |          |          |          |           |           |          |
|--|----------------------|---------------|----------------------|----------|----------|----------|----------|-----------|-----------|----------|
| <b>PART<br/>NUMBER</b>                                     | <b>HOSE<br/>BORE</b> | <b>THREAD</b> | <b>DIMENSIONS mm</b> |          |          |          |          |           |           |          |
|  | <b>I</b>             | <b>T</b>      | <b>A</b>             | <b>B</b> | <b>C</b> | <b>D</b> | <b>E</b> | <b>H1</b> | <b>H2</b> | <b>L</b> |
| S551-04-04 (S)   | 1/4"                 | 1/4 – 19      | 24                   |          |          | 24       |          | 16        | 19        |          |
| S551-06-06 (S)   | 3/8"                 | 3/8 – 19      | 27                   |          |          | 32       |          | 19        | 22        |          |
| S551-08-08 (S)   | 1/2"                 | 1/2 – 14      | 31                   |          |          | 35       |          | 29        | 26        |          |
| S551-10-10 (S)   | 5/8"                 | 5/8 – 14      | 34                   |          |          | 40       |          | 32        | 29        |          |
| S551-12-12 (S)   | 3/4"                 | 3/4 – 14      | 37                   |          |          | 46       |          | 38        | 32        |          |
| S551-16-16 (S)   | 1"                   | 1" – 11       | 42                   |          |          | 54       |          | 44        | 38        |          |
| S551-20-20 (S)   | 1-1/4"               | 1-1/4 – 11    | 49                   |          |          | 61       |          | 57        | 50.8      |          |
| S551-24-24 • (S)   | 1-1/2"               | 1-1/2 - 11    | 52                   |          |          | 68       |          | 57        | 57        |          |

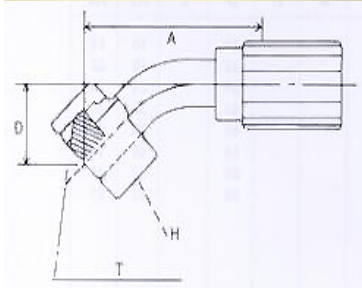
| <b>S551 SERIES – BSP COMPACT ELBOW<br/>– MULTISPIRAL TAIL</b> |                      |               |                      |          |          |          |          |           |           |          |
|---|----------------------|---------------|----------------------|----------|----------|----------|----------|-----------|-----------|----------|
| <b>PART<br/>NUMBER</b>  | <b>HOSE<br/>BORE</b> | <b>THREAD</b> | <b>DIMENSIONS mm</b> |          |          |          |          |           |           |          |
|   | <b>I</b>             | <b>T</b>      | <b>A</b>             | <b>B</b> | <b>C</b> | <b>D</b> | <b>E</b> | <b>H1</b> | <b>H2</b> | <b>L</b> |
| S551-12-12 (L)  | 3/4"                 | 3/4 – 14      | 37                   |          |          | 46       |          | 38        | 32        |          |
| S551-16-16 (L)  | 1"                   | 1" – 11       | 42                   |          |          | 54       |          | 44        | 38        |          |
| S551-20-20 (L)  | 1-1/4"               | 1-1/4 – 11    | 49                   |          |          | 61       |          | 57        | 50.8      |          |
| S551-24-24 • (L)  | 1-1/2"               | 1-1/2 - 11    | 52                   |          |          | 68       |          | 57        | 57        |          |



[Contents Page](#)

| S555 SERIES – JIC COMPACT ELBOW<br>– STANDARD TAIL |           |             |               |   |   |    |   |    |      |  |
|--|-----------|-------------|---------------|---|---|----|---|----|------|--|
| PART NUMBER  | HOSE BORE | THREAD      | DIMENSIONS mm |   |   |    |   |    |      |  |
|  | I         | T           | A             | B | C | D  | E | H1 | H2   |  |
| S555-07-04 (S)                                     | 1/4"      | 7/16 – 20   | 24            |   |   | 27 |   | 19 | 16   |  |
| S555-08-04 (S)                                     | 1/4"      | 1/2 – 20    | 24            |   |   | 27 |   | 22 | 19   |  |
| S555-09-04 (S)                                     | 1/4"      | 9/16 – 18   | 24            |   |   | 30 |   | 22 | 19   |  |
| S555-09-06 (S)                                     | 3/8"      | 9/16 – 18   | 26            |   |   | 30 |   | 22 | 19   |  |
| S555-12-08 (S)                                     | 1/2"      | 3/4 – 16    | 29            |   |   | 44 |   | 29 | 22   |  |
| S555-14-10 (S)                                     | 5/8"      | 7/8 – 14    | 32            |   |   | 44 |   | 32 | 26   |  |
| S555-17-12 (S)                                     | 3/4"      | 1-1/16 – 12 | 35            |   |   | 47 |   | 38 | 32   |  |
| S555-21-16 (S)                                     | 1"        | 1-5/16 – 12 | 37            |   |   | 54 |   | 44 | 38   |  |
| S555-26-20 (S)                                     | 1-1/4"    | 1-5/8 – 12  | 44            |   |   | 61 |   | 48 | 50.8 |  |
| S555-30-24 • (S)                                   | 1-1/2"    | 1-7/8 – 12  | 44            |   |   | 61 |   | 57 | 57   |  |

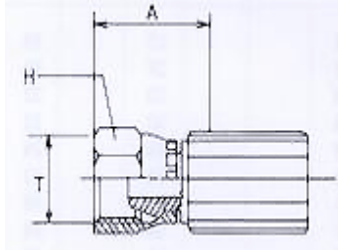
| S555 SERIES – JIC COMPACT ELBOW<br>– MULTISPIRAL TAIL |           |             |               |   |   |    |   |    |      |  |
|---|-----------|-------------|---------------|---|---|----|---|----|------|--|
| PART NUMBER   | HOSE BORE | THREAD      | DIMENSIONS mm |   |   |    |   |    |      |  |
|   | I         | T           | A             | B | C | D  | E | H1 | H2   |  |
| S555-17-12 (L)  | 3/4"      | 1-1/16 – 12 | 35            |   |   | 47 |   | 38 | 32   |  |
| S555-21-16 (L)  | 1"        | 1-5/16 – 12 | 37            |   |   | 54 |   | 44 | 38   |  |
| S555-26-20 (L)  | 1-1/4"    | 1-5/8 – 12  | 44            |   |   | 61 |   | 48 | 50.8 |  |
| S555-30-24 • (L)                                      | 1-1/2"    | 1-7/8 – 12  | 44            |   |   | 61 |   | 57 | 57   |  |



[Contents Page](#)

| S666 SERIES – ‘ORS’ FEMALE SWIVEL 45° ELBOW<br>– STANDARD TAIL |           |              |               |   |   |      |   |    |   |
|--|-----------|--------------|---------------|---|---|------|---|----|---|
| PART NUMBER  | HOSE BORE | THREAD       | DIMENSIONS mm |   |   |      |   |    |   |
|  | I         | T            | A             | B | C | D    | E | H  | L |
| S666-09-04 (VS)  | 1/4"      | 9/16 – 18    | 46            |   |   | 13   |   | 19 |   |
| S666-11-06 (VS)  | 3/8"      | 11/16 – 16   | 49            |   |   | 22.5 |   | 22 |   |
| S666-13-08 (VS)  | 1/2"      | 13/16 – 16   | 58            |   |   | 15   |   | 26 |   |
| S666-16-10 (VS)  | 5/8"      | 1 – 14       | 52            |   |   | 22   |   | 32 |   |
| S666-19-12 (VS)  | 3/4"      | 1-3/16 – 12  | 60            |   |   | 32   |   | 35 |   |
| S666-23-16 (VS)  | 1"        | 1-7/16 – 12  | 72            |   |   | 29   |   | 41 |   |
| S666-27-20 (VS)  | 1-1/4"    | 1-11/16 – 12 | 73            |   |   | 38   |   | 48 |   |
| S666-32-24 (VS)  | 1-1/2"    | 2 – 12       | 90            |   |   | 39   |   | 57 |   |

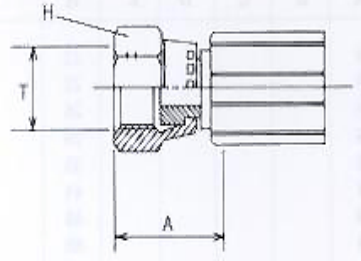
| S666 SERIES – ‘ORS’ FEMALE SWIVEL 45° ELBOW<br>– MULTISPIRAL TAIL |           |              |               |   |   |    |   |    |   |
|---|-----------|--------------|---------------|---|---|----|---|----|---|
| PART NUMBER   | HOSE BORE | THREAD       | DIMENSIONS mm |   |   |    |   |    |   |
|   | I         | T            | A             | B | C | D  | E | H  | L |
| S666-19-12 (VL)   | 3/4"      | 1-3/16 – 12  | 60            |   |   | 32 |   | 35 |   |
| S666-23-16 (VL)   | 1"        | 1-7/16 – 12  | 72            |   |   | 29 |   | 41 |   |
| S666-27-20 (VL)   | 1-1/4"    | 1-11/16 – 12 | 73            |   |   | 38 |   | 48 |   |
| S666-32-24 (VL)   | 1-1/2"    | 2 – 12       | 90            |   |   | 39 |   | 57 |   |



[Contents Page](#)

| S801 SERIES – METRIC FEMALE 60° SEAT ANGLE<br>– STANDARD TAIL |           |          |               |   |   |   |   |    |   |
|---|-----------|----------|---------------|---|---|---|---|----|---|
| PART NUMBER   | HOSE BORE | THREAD   | DIMENSIONS mm |   |   |   |   |    |   |
|   | I         | T        | A             | B | C | D | E | H  | L |
| S801-12-04 (S)  | 1/4"      | 12 x 1.5 | 20            |   |   |   |   | 16 |   |
| S801-14-04 (S)  | 1/4"      | 14 x 1.5 | 20            |   |   |   |   | 19 |   |
| S801-16-04 (S)  | 1/4"      | 16 x 1.5 | 20            |   |   |   |   | 22 |   |
| S801-14-06 (S)  | 3/8"      | 14 x 1.5 | 20            |   |   |   |   | 19 |   |
| S801-16-06 (S)  | 3/8"      | 16 x 1.5 | 23            |   |   |   |   | 22 |   |
| S801-18-06 (S)  | 3/8"      | 18 x 1.5 | 23            |   |   |   |   | 22 |   |
| S801-22-06 (S)  | 3/8"      | 22 x 1.5 | 24            |   |   |   |   | 26 |   |
| S801-22-08 (S)  | 1/2"      | 22 x 1.5 | 24            |   |   |   |   | 26 |   |
| S801-26-10 (S)  | 5/8"      | 26 x 1.5 | 25            |   |   |   |   | 32 |   |
| S801-30-12 (S)  | 3/4"      | 30 x 1.5 | 27            |   |   |   |   | 35 |   |
| S801-38-16 (S)  | 1"        | 38 x 1.5 | 31            |   |   |   |   | 44 |   |
| S801-45-20 • (S)  | 1-1/4"    | 45 x 1.5 | 36            |   |   |   |   | 57 |   |
| S801-52-24 • (S)  | 1-1/2"    | 52 x 1.5 | 42            |   |   |   |   | 60 |   |

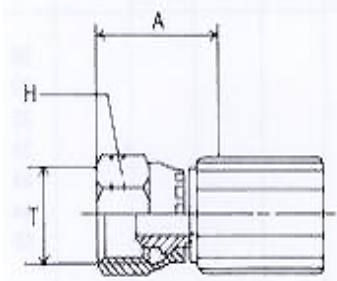
| S801 SERIES – METRIC FEMALE 60° SEAT ANGLE<br>– MULTISPIRAL TAIL |           |          |               |   |   |   |   |    |   |
|--|-----------|----------|---------------|---|---|---|---|----|---|
| PART NUMBER  | HOSE BORE | THREAD   | DIMENSIONS mm |   |   |   |   |    |   |
|  | I         | T        | A             | B | C | D | E | H  | L |
| S801-30-12 (L)   | 3/4"      | 30 x 1.5 | 27            |   |   |   |   | 35 |   |
| S801-38-16 (L)   | 1"        | 38 x 1.5 | 31            |   |   |   |   | 44 |   |
| S801-45-20 • (L)   | 1-1/4"    | 45 x 1.5 | 36            |   |   |   |   | 57 |   |
| S801-52-24 • (L)   | 1-1/2"    | 52 x 1.5 | 42            |   |   |   |   | 60 |   |



[Contents Page](#)

**S802 SERIES – METRIC FEMALE – FLAT SEAT  
– STANDARD TAIL**

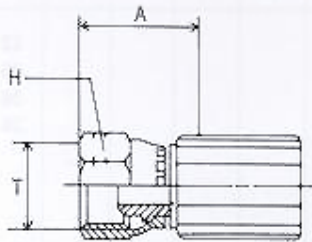
| PART NUMBER    | HOSE BORE | THREAD   | DIMENSIONS mm |   |   |   |   |    |   |  |
|----------------|-----------|----------|---------------|---|---|---|---|----|---|--|
|                | I         | T        | A             | B | C | D | E | H  | L |  |
| S802-18-06 (S) | 3/8"      | 18 x 1.5 | 26            |   |   |   |   | 22 |   |  |
| S802-20-06 (S) | 3/8"      | 20 x 1.5 | 26            |   |   |   |   | 26 |   |  |
| S802-20-08 (S) | 1/2"      | 20 x 1.5 | 33            |   |   |   |   | 26 |   |  |
| S802-22-08 (S) | 1/2"      | 22 x 1.5 | 33            |   |   |   |   | 26 |   |  |



[Contents Page](#)

| <b>S803 SERIES – METRIC FEMALE – LIGHT DUTY TYPE 24° SEAT ANGLE – STANDARD TAIL</b> |                  |               |                      |          |          |          |          |          |          |
|---|------------------|---------------|----------------------|----------|----------|----------|----------|----------|----------|
| <b>PART NUMBER</b>  | <b>HOSE BORE</b> | <b>THREAD</b> | <b>DIMENSIONS mm</b> |          |          |          |          |          |          |
|   | <b>I</b>         | <b>T</b>      | <b>A</b>             | <b>B</b> | <b>C</b> | <b>D</b> | <b>E</b> | <b>H</b> | <b>L</b> |
| S803-12-04 (S)  | 1/4"             | 12 x 1.5      | 19                   |          |          |          |          | 16       |          |
| S803-14-04 (S)  | 1/4"             | 14 x 1.5      | 19                   |          |          |          |          | 19       |          |
| S803-16-06 (S)  | 3/8"             | 16 x 1.5      | 23                   |          |          |          |          | 22       |          |
| S803-18-06 (S)  | 3/8"             | 18 x 1.5      | 24                   |          |          |          |          | 22       |          |
| S803-22-08 (S)  | 1/2"             | 22 x 1.5      | 24                   |          |          |          |          | 26       |          |
| S803-26-08 (S)  | 1/2"             | 26 x 1.5      | 27                   |          |          |          |          | 32       |          |
| S803-26-10 (S)  | 5/8"             | 26 x 1.5      | 27                   |          |          |          |          | 32       |          |
| S803-30-12 (S)  | 3/4"             | 30 x 2        | 28                   |          |          |          |          | 35       |          |
| S803-36-16 (S)  | 1"               | 36 x 2        | 31                   |          |          |          |          | 44       |          |
| S803-45-20 • (S)  | 1-1/4"           | 45 x 2        | 41                   |          |          |          |          | 57       |          |
| S803-52-24 • (S)  | 1-1/2"           | 52 x 2        | 43                   |          |          |          |          | 60       |          |

| <b>S803 SERIES – METRIC FEMALE – LIGHT DUTY TYPE 24° SEAT ANGLE – MULTISPIRAL TAIL</b> |                  |               |                      |          |          |          |          |          |          |
|--|------------------|---------------|----------------------|----------|----------|----------|----------|----------|----------|
| <b>PART NUMBER</b>   | <b>HOSE BORE</b> | <b>THREAD</b> | <b>DIMENSIONS mm</b> |          |          |          |          |          |          |
|  | <b>I</b>         | <b>T</b>      | <b>A</b>             | <b>B</b> | <b>C</b> | <b>D</b> | <b>E</b> | <b>H</b> | <b>L</b> |
| S803-30-12 (L)   | 3/4"             | 30 x 2        | 28                   |          |          |          |          | 35       |          |
| S803-36-16 (L)   | 1"               | 36 x 2        | 31                   |          |          |          |          | 44       |          |
| S803-45-20 • (L)   | 1-1/4"           | 45 x 2        | 41                   |          |          |          |          | 57       |          |
| S803-52-24 • (L)   | 1-1/2"           | 52 x 2        | 43                   |          |          |          |          | 60       |          |

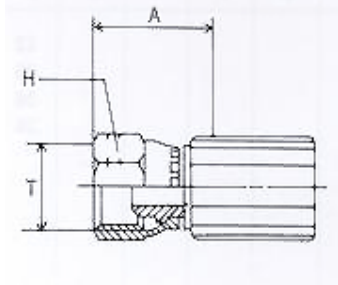


[Contents Page](#)

| <b>S804 SERIES – METRIC FEMALE – HEAVY DUTY 24° SEAT ANGLE – STANDARD TAIL</b> |                  |               |                      |          |          |          |          |          |          |
|--|------------------|---------------|----------------------|----------|----------|----------|----------|----------|----------|
| <b>PART NUMBER</b>   | <b>HOSE BORE</b> | <b>THREAD</b> | <b>DIMENSIONS mm</b> |          |          |          |          |          |          |
|  | <b>I</b>         | <b>T</b>      | <b>A</b>             | <b>B</b> | <b>C</b> | <b>D</b> | <b>E</b> | <b>H</b> | <b>L</b> |
| S804-16-04 (S)   | 1/4"             | 16 x 1.5      | 22                   |          |          |          |          | 22       |          |
| S804-18-04 (S)   | 1/4"             | 18 x 1.5      | 23                   |          |          |          |          | 22       |          |
| S804-22-06 (S)   | 3/8"             | 22 x 1.5      | 25                   |          |          |          |          | 26       |          |
| S804-24-08 (S)   | 1/2"             | 24 x 1.5      | 26                   |          |          |          |          | 29       |          |
| S804-30-10 (S)   | 5/8"             | 30 x 2        | 28                   |          |          |          |          | 35       |          |
| S804-36-12 (S)   | 3/4"             | 36 x 2        | 31                   |          |          |          |          | 44       |          |
| S804-42-16 • (S)   | 1"               | 42 x 2        | 39                   |          |          |          |          | 48       |          |
| S804-52-16 • (S)   | 1"               | 52 x 2        | 43                   |          |          |          |          | 60       |          |
| S804-52-20 • (S)   | 1-1/4"           | 52 x 2        | 43                   |          |          |          |          | 60       |          |

| <b>S804 SERIES – METRIC FEMALE – HEAVY DUTY 24° SEAT ANGLE – MULTISPIRAL TAIL</b> |                  |               |                      |          |          |          |          |          |          |
|---|------------------|---------------|----------------------|----------|----------|----------|----------|----------|----------|
| <b>PART NUMBER</b>  | <b>HOSE BORE</b> | <b>THREAD</b> | <b>DIMENSIONS mm</b> |          |          |          |          |          |          |
|   | <b>I</b>         | <b>T</b>      | <b>A</b>             | <b>B</b> | <b>C</b> | <b>D</b> | <b>E</b> | <b>H</b> | <b>L</b> |
| S804-36-12 (L)  | 3/4"             | 36 x 2        | 31                   |          |          |          |          | 44       |          |
| S804-42-16 • (L)  | 1"               | 42 x 2        | 39                   |          |          |          |          | 48       |          |
| S804-52-16 • (L)  | 1"               | 52 x 2        | 43                   |          |          |          |          | 60       |          |
| S804-52-20 • (L)  | 1-1/4"           | 52 x 2        | 43                   |          |          |          |          | 60       |          |

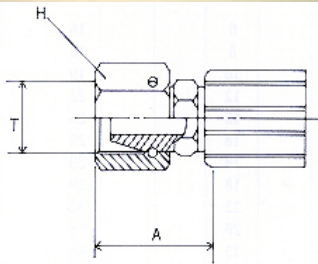




[Contents Page](#)

| <b>S805 SERIES – METRIC STRAIGHT FEMALE – FRENCH TYPE<br/>– STANDARD TAIL</b> |                  |               |                      |          |          |          |          |          |          |
|---|------------------|---------------|----------------------|----------|----------|----------|----------|----------|----------|
| <b>PART NUMBER</b>  | <b>HOSE BORE</b> | <b>THREAD</b> | <b>DIMENSIONS mm</b> |          |          |          |          |          |          |
|   | <b>I</b>         | <b>T</b>      | <b>A</b>             | <b>B</b> | <b>C</b> | <b>D</b> | <b>E</b> | <b>H</b> | <b>L</b> |
| S805-20-06 (S)  | 3/8"             | 20 x 1.5      | 25                   |          |          |          |          | 26       |          |
| S805-24-08 (S)  | 1/2"             | 24 x 1.5      | 27                   |          |          |          |          | 29       |          |
| S805-30-10 (S)  | 5/8"             | 30 x 1.5      | 30                   |          |          |          |          | 35       |          |
| S805-30-12 (S)  | 3/4"             | 30 x 1.5      | 33                   |          |          |          |          | 35       |          |
| S805-34-12 (S)  | 3/4"             | 34 x 1.5      | 33                   |          |          |          |          | 44       |          |
| S805-36-12 (S)  | 3/4"             | 36 x 1.5      | 39                   |          |          |          |          | 44       |          |
| S805-45-16 • (S)  | 1"               | 45 x 1.5      | 37                   |          |          |          |          | 57       |          |

| <b>S805 SERIES – METRIC STRAIGHT FEMALE – FRENCH TYPE<br/>– MULTISPIRAL TAIL</b> |                  |               |                      |          |          |          |          |          |          |
|--|------------------|---------------|----------------------|----------|----------|----------|----------|----------|----------|
| <b>PART NUMBER</b>   | <b>HOSE BORE</b> | <b>THREAD</b> | <b>DIMENSIONS mm</b> |          |          |          |          |          |          |
|  | <b>I</b>         | <b>T</b>      | <b>A</b>             | <b>B</b> | <b>C</b> | <b>D</b> | <b>E</b> | <b>H</b> | <b>L</b> |
| S805-30-12 (L)   | 3/4"             | 30 x 1.5      | 33                   |          |          |          |          | 35       |          |
| S805-34-12 (L)   | 3/4"             | 34 x 1.5      | 33                   |          |          |          |          | 44       |          |
| S805-36-12 (L)   | 3/4"             | 36 x 1.5      | 39                   |          |          |          |          | 44       |          |
| S805-45-16 • (L)   | 1"               | 45 x 1.5      | 37                   |          |          |          |          | 57       |          |



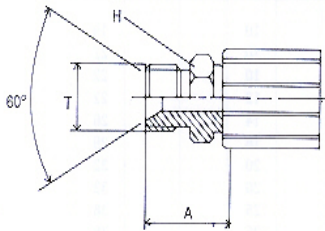
[Contents Page](#)

**S806 SERIES – ‘0’-RING STRAIGHT FEMALE(DKO) HEAVY DUTY TYPE – STANDARD TYPE**

| PART NUMBER    | HOSE BORE | THREAD   | DIMENSIONS mm |   |   |   |   |    |   |  |
|----------------|-----------|----------|---------------|---|---|---|---|----|---|--|
|                | I         | T        | A             | B | C | D | E | H  | L |  |
| S806-20-06 (S) | 3/8"      | 20 x 1.5 | 36            |   |   |   |   | 26 |   |  |
| S806-22-06 (S) | 3/8"      | 22 x 1.5 | 37            |   |   |   |   | 26 |   |  |
| S806-24-08 (S) | 1/2"      | 24 x 1.5 | 39            |   |   |   |   | 29 |   |  |
| S806-30-10 (S) | 5/8"      | 30 x 2   | 46            |   |   |   |   | 35 |   |  |
| S806-36-12 (S) | 3/4"      | 36 x 2   | 47            |   |   |   |   | 44 |   |  |
| S806-42-16 (S) | 1"        | 42 x 2   | 52            |   |   |   |   | 48 |   |  |
| S806-52-16 (S) | 1"        | 52 x 2   | 56            |   |   |   |   | 63 |   |  |
| S806-52-20 (S) | 1-1/4"    | 52 x 2   | 56            |   |   |   |   | 63 |   |  |

**S806 SERIES – ‘0’-RING STRAIGHT FEMALE(DKO) HEAVY DUTY TYPE – MULTISPIRAL TAIL**

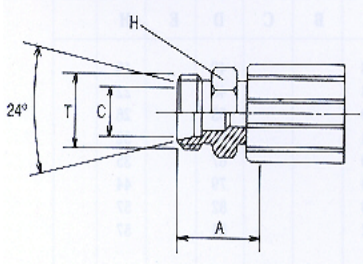
| PART NUMBER    | HOSE BORE | THREAD | DIMENSIONS mm |   |   |   |   |    |   |  |
|----------------|-----------|--------|---------------|---|---|---|---|----|---|--|
|                | I         | T      | A             | B | C | D | E | H  | L |  |
| S806-36-12 (L) | 3/4"      | 36 x 2 | 47            |   |   |   |   | 44 |   |  |
| S806-42-16 (L) | 1"        | 42 x 2 | 52            |   |   |   |   | 48 |   |  |
| S806-52-16 (L) | 1"        | 52 x 2 | 56            |   |   |   |   | 63 |   |  |
| S806-52-20 (L) | 1-1/4"    | 52 x 2 | 56            |   |   |   |   | 63 |   |  |



[Contents Page](#)

| S811 SERIES – METRIC MALE 60° SEAT<br>– STANDARD TAIL |           |          |               |   |   |   |   |    |   |
|---|-----------|----------|---------------|---|---|---|---|----|---|
| PART NUMBER   | HOSE BORE | THREAD   | DIMENSIONS mm |   |   |   |   |    |   |
|   | I         | T        | A             | B | C | D | E | H  | L |
| S811-12-04 (S)  | 1/4"      | 12 x 1.5 | 23            |   |   |   |   | 16 |   |
| S811-14-04 (S)  | 1/4"      | 14 x 1.5 | 23            |   |   |   |   | 16 |   |
| S811-16-04 (S)  | 1/4"      | 16 x 1.5 | 27            |   |   |   |   | 19 |   |
| S811-14-06 (S)  | 3/8"      | 14 x 1.5 | 25            |   |   |   |   | 16 |   |
| S811-16-06 (S)  | 3/8"      | 16 x 1.5 | 28            |   |   |   |   | 19 |   |
| S811-18-06 (S)  | 3/8"      | 18 x 1.5 | 28            |   |   |   |   | 19 |   |
| S811-18-08 (S)  | 1/2"      | 18 x 1.5 | 28            |   |   |   |   | 19 |   |
| S811-22-08 (S)  | 1/2"      | 22 x 1.5 | 31            |   |   |   |   | 26 |   |
| S811-26-10 (S)  | 5/8"      | 26 x 1.5 | 33            |   |   |   |   | 29 |   |
| S811-30-12 (S)  | 3/4"      | 30 x 1.5 | 37            |   |   |   |   | 32 |   |
| S811-38-16 (S)  | 1"        | 38 x 1.5 | 40            |   |   |   |   | 44 |   |
| S811-45-20 (S)  | 1-1/4"    | 45 x 1.5 | 42            |   |   |   |   | 48 |   |

| S811 SERIES – METRIC MALE 60° SEAT<br>– MULTISPIRAL TAIL |           |          |               |   |   |   |   |    |   |
|--|-----------|----------|---------------|---|---|---|---|----|---|
| PART NUMBER  | HOSE BORE | THREAD   | DIMENSIONS mm |   |   |   |   |    |   |
|  | I         | T        | A             | B | C | D | E | H  | L |
| S811-30-12 (L)   | 3/4"      | 30 x 1.5 | 37            |   |   |   |   | 32 |   |
| S811-38-16 (L)   | 1"        | 38 x 1.5 | 40            |   |   |   |   | 44 |   |
| S811-45-20 (L)   | 1-1/4"    | 45 x 1.5 | 42            |   |   |   |   | 48 |   |



[Contents Page](#)

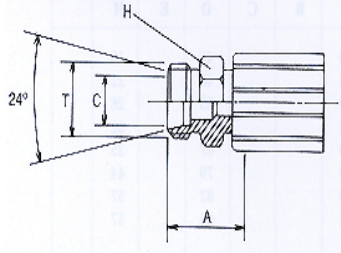
**S813 SERIES – METRIC MALE 24° SEAT LIGHT DUTY TYPE  
– STANDARD TAIL**

| PART NUMBER    | HOSE BORE | THREAD   | DIMENSIONS mm |   |    |   |   |    |   |  |
|----------------|-----------|----------|---------------|---|----|---|---|----|---|--|
|                | I         | T        | A             | B | C  | D | E | H  | L |  |
| S813-12-04 (S) | 1/4"      | 12 x 1.5 | 22            |   | 6  |   |   | 16 |   |  |
| S813-14-04 (S) | 1/4"      | 14 x 1.5 | 22            |   | 8  |   |   | 16 |   |  |
| S813-16-06 (S) | 3/8"      | 16 x 1.5 | 25            |   | 10 |   |   | 19 |   |  |
| S813-18-06 (S) | 3/8"      | 18 x 1.5 | 25            |   | 12 |   |   | 22 |   |  |
| S813-22-08 (S) | 1/2"      | 22 x 1.5 | 28            |   | 15 |   |   | 26 |   |  |
| S813-26-08 (S) | 1/2"      | 26 x 1.5 | 28            |   | 18 |   |   | 29 |   |  |
| S813-26-10 (S) | 5/8"      | 26 x 1.5 | 28            |   | 18 |   |   | 29 |   |  |
| S813-26-12 (S) | 3/4"      | 26 x 1.5 | 31            |   | 18 |   |   | 29 |   |  |
| S813-30-12 (S) | 3/4"      | 30 x 2   | 33            |   | 22 |   |   | 32 |   |  |
| S813-36-12 (S) | 3/4"      | 36 x 2   | 36            |   | 28 |   |   | 38 |   |  |
| S813-45-20 (S) | 1-1/4"    | 45 x 2   | 40            |   | 35 |   |   | 48 |   |  |
| S813-52-24 (S) | 1-1/2"    | 52 x 2   | 40            |   | 42 |   |   | 57 |   |  |

**S813 SERIES – METRIC MALE 24° SEAT LIGHT DUTY TYPE  
– MULTISPIRAL TAIL**

| PART NUMBER    | HOSE BORE | THREAD   | DIMENSIONS mm |   |    |   |   |    |   |  |
|----------------|-----------|----------|---------------|---|----|---|---|----|---|--|
|                | I         | T        | A             | B | C  | D | E | H  | L |  |
| S813-26-12 (L) | 3/4"      | 26 x 1.5 | 31            |   | 18 |   |   | 29 |   |  |
| S813-30-12 (L) | 3/4"      | 30 x 2   | 33            |   | 22 |   |   | 32 |   |  |
| S813-36-12 (L) | 3/4"      | 36 x 2   | 36            |   | 28 |   |   | 38 |   |  |
| S813-45-20 (L) | 1-1/4"    | 45 x 2   | 40            |   | 35 |   |   | 48 |   |  |
| S813-52-24 (L) | 1-1/2"    | 52 x 2   | 40            |   | 42 |   |   | 57 |   |  |

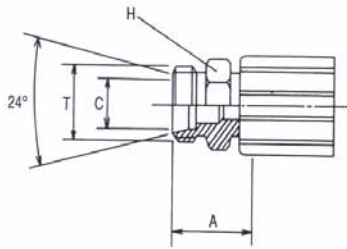
**- STANDARD TAIL**



[Contents Page](#)

| PART NUMBER    | HOSE BORE | THREAD   | DIMENSIONS mm |   |    |   |   |    |   |  |
|----------------|-----------|----------|---------------|---|----|---|---|----|---|--|
|                | I         | T        | A             | B | C  | D | E | H  | L |  |
| S814-16-04 (S) | 1/4"      | 16 x 1.5 | 25            |   | 10 |   |   | 19 |   |  |
| S814-18-04 (S) | 1/4"      | 18 x 1.5 | 25            |   | 10 |   |   | 22 |   |  |
| S814-18-06 (S) | 3/8"      | 18 x 1.5 | 27            |   | 10 |   |   | 22 |   |  |
| S814-20-06 (S) | 3/8"      | 20 x 1.5 | 27            |   | 12 |   |   | 22 |   |  |
| S814-22-06 (S) | 3/8"      | 22 x 1.5 | 29            |   | 14 |   |   | 26 |   |  |
| S814-24-08 (S) | 1/2"      | 24 x 1.5 | 30            |   | 16 |   |   | 26 |   |  |
| S814-30-10 (S) | 5/8"      | 30 x 2   | 32            |   | 20 |   |   | 32 |   |  |
| S814-30-12 (S) | 3/4"      | 30 x 2   | 35            |   | 20 |   |   | 32 |   |  |
| S814-36-12 (S) | 3/4"      | 36 x 2   | 37            |   | 25 |   |   | 38 |   |  |
| S814-36-16 (S) | 1"        | 36 x 2   | 40            |   | 25 |   |   | 38 |   |  |
| S814-42-16 (S) | 1"        | 42 x 2   | 42            |   | 30 |   |   | 44 |   |  |
| S814-52-16 (S) | 1"        | 52 x 2   | 44            |   | 38 |   |   | 57 |   |  |
| S814-42-20 (S) | 1-1/4"    | 42 x 2   | 44            |   | 30 |   |   | 48 |   |  |
| S814-52-20 (S) | 1-1/4"    | 52 x 2   | 46            |   | 38 |   |   | 57 |   |  |

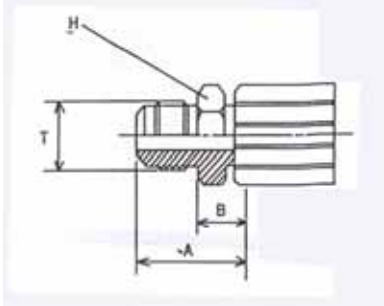
| <b>S814 SERIES – METRIC MALE 24° SEAT HEAVY DUTY TYPE – MULTISPIRAL TAIL</b> |           |        |               |   |    |   |   |    |   |  |
|--|-----------|--------|---------------|---|----|---|---|----|---|--|
| PART NUMBER  | HOSE BORE | THREAD | DIMENSIONS mm |   |    |   |   |    |   |  |
|  | I         | T      | A             | B | C  | D | E | H  | L |  |
| S814-30-12 (L)   | 3/4"      | 30 x 2 | 35            |   | 20 |   |   | 32 |   |  |
| S814-36-12 (L)   | 3/4"      | 36 x 2 | 37            |   | 25 |   |   | 38 |   |  |
| S814-36-16 (L)   | 1"        | 36 x 2 | 40            |   | 25 |   |   | 38 |   |  |
| S814-42-16 (L)   | 1"        | 42 x 2 | 42            |   | 30 |   |   | 44 |   |  |
| S814-52-16 (L)   | 1"        | 52 x 2 | 44            |   | 38 |   |   | 57 |   |  |
| S814-42-20 (L)   | 1-1/4"    | 42 x 2 | 44            |   | 30 |   |   | 48 |   |  |
| S814-52-20 (L)   | 1-1/4"    | 52 x 2 | 46            |   | 38 |   |   | 57 |   |  |



[Contents Page](#)

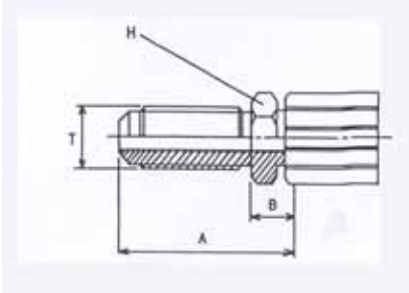
| <b>S815 SERIES – METRIC MALE – FRENCH TYPE<br/>– STANDARD TAIL</b> |                      |               |                      |          |          |          |          |          |          |
|--|----------------------|---------------|----------------------|----------|----------|----------|----------|----------|----------|
| <b>PART<br/>NUMBER</b>   | <b>HOSE<br/>BORE</b> | <b>THREAD</b> | <b>DIMENSIONS mm</b> |          |          |          |          |          |          |
|  | <b>I</b>             | <b>T</b>      | <b>A</b>             | <b>B</b> | <b>C</b> | <b>D</b> | <b>E</b> | <b>H</b> | <b>L</b> |
| S815-20-06 (S)   | 3/8"                 | 20 x 1.5      | 26                   |          | 13.25    |          |          | 22       |          |
| S815-24-08 (S)   | 1/2"                 | 24 x 1.5      | 28                   |          | 16.75    |          |          | 26       |          |
| S815-30-10 (S)   | 5/8"                 | 30 x 1.5      | 30                   |          | 21.25    |          |          | 32       |          |
| S815-30-12 (S)   | 3/4"                 | 30 x 1.5      | 31                   |          | 22       |          |          | 32       |          |
| S815-36-12 (S)   | 3/4"                 | 36 x 1.5      | 31                   |          | 26.75    |          |          | 38       |          |
| S815-45-16 (S)   | 1"                   | 45 x 1.5      | 36                   |          | 33.5     |          |          | 48       |          |
| S815-45-20 (S)   | 1-1/4"               | 45 x 1.5      | 37                   |          | 33.5     |          |          | 48       |          |

| <b>S815 SERIES – METRIC MALE – FRENCH TYPE<br/>– MULTISPIRAL TAIL</b> |                      |               |                      |          |          |          |          |          |          |
|---|----------------------|---------------|----------------------|----------|----------|----------|----------|----------|----------|
| <b>PART<br/>NUMBER</b>  | <b>HOSE<br/>BORE</b> | <b>THREAD</b> | <b>DIMENSIONS mm</b> |          |          |          |          |          |          |
|   | <b>I</b>             | <b>T</b>      | <b>A</b>             | <b>B</b> | <b>C</b> | <b>D</b> | <b>E</b> | <b>H</b> | <b>L</b> |
| S815-30-12 (L)  | 3/4"                 | 30 x 1.5      | 31                   |          | 22       |          |          | 32       |          |
| S815-36-12 (L)  | 3/4"                 | 36 x 1.5      | 31                   |          | 26.75    |          |          | 38       |          |
| S815-45-16 (L)  | 1"                   | 45 x 1.5      | 36                   |          | 33.5     |          |          | 48       |          |
| S815-45-20 (L)  | 1-1/4"               | 45 x 1.5      | 37                   |          | 33.5     |          |          | 48       |          |



[Contents Page](#)

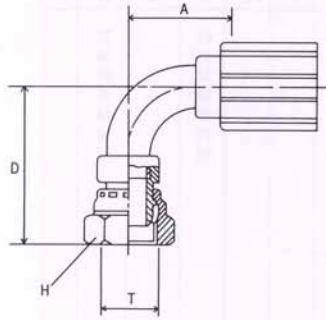
| S818 JIS 30° FLARE MALE<br>- STANDARD TAIL |           |        |               |      |   |   |   |      |   |
|--|-----------|--------|---------------|------|---|---|---|------|---|
| PART NUMBER                                | HOSE BORE | THREAD | DIMENSIONS mm |      |   |   |   |      |   |
|  | I         | T      | A             | B    | C | D | E | H    | L |
| S818-10-04 (1.0)(S)                        | 1/4"      | 1.0    | 27.7          | 12.7 |   |   |   | 12.7 |   |
| S818-12-04 (1.0)(S)                        | 1/4"      | 1.0    | 28.2          | 12.7 |   |   |   | 16   |   |
| S818-12-04 (1.5)(S)                        | 1/4"      | 1.5    | 28.2          | 12.7 |   |   |   | 16   |   |
| S818-12-06 (1.5)(S)                        | 3/8"      | 1.5    | 28.5          | 13   |   |   |   | 16   |   |
| S818-14-04 (S)                             | 1/4"      | 1.5    | 28.7          | 12.7 |   |   |   | 16   |   |
| S818-14-06 (S)                             | 3/8"      | 1.5    | 31            | 15   |   |   |   | 16   |   |
| S818-16-06 (S)                             | 3/8"      | 1.5    | 32            | 15   |   |   |   | 19   |   |
| S818-22-08 (S)                             | 1/2"      | 1.5    | 38            | 17   |   |   |   | 26   |   |



[Contents Page](#)

| S819 JIS BULKHEAD MALE 30° SEAT ANGLE<br>- STANDARD TAIL |           |        |               |      |   |   |   |      |   |  |
|--|-----------|--------|---------------|------|---|---|---|------|---|--|
| PART NUMBER  | HOSE BORE | THREAD | DIMENSIONS mm |      |   |   |   |      |   |  |
|  | I         | T      | A             | B    | C | D | E | H    | L |  |
| S819-10-04 (1.0) (S)                                     | 1/4"      | 1.0    | 39.7          | 12.2 |   |   |   | 12.7 |   |  |
| S819-10-04 (1.25) (S)                                    | 1/4"      | 1.25   | 39.7          | 12.2 |   |   |   | 12.7 |   |  |
| S819-10-04 (1.5) (S)                                     | 1/4"      | 1.5    | 39.7          | 12.2 |   |   |   | 12.7 |   |  |
| S819-12-04 (1.0) (S)                                     | 1/4"      | 1.0    | 44.7          | 12.7 |   |   |   | 16   |   |  |
| S819-12-04 (1.5) (S)                                     | 1/4"      | 1.5    | 44.7          | 12.7 |   |   |   | 16   |   |  |
| S819-12-06 (1.5) (S)                                     | 3/8"      | 1.5    | 43.2          | 11.2 |   |   |   | 16   |   |  |
| S819-14-04 (S)   | 1/4"      | 1.5    | 44.7          | 12.7 |   |   |   | 16   |   |  |
| S819-14-06 (S)   | 3/8"      | 1.5    | 43.2          | 11.2 |   |   |   | 16   |   |  |
| S819-16-06 (S)   | 3/8"      | 1.5    | 44.2          | 13.2 |   |   |   | 19   |   |  |
| S819-18-06 (S)   | 3/8"      | 1.5    | 45.2          | 13.2 |   |   |   | 19   |   |  |
| S819-20-06 (S)   | 3/8"      | 1.5    | 49.7          | 15.2 |   |   |   | 22   |   |  |
| S819-16-08 (S)   | 1/2"      | 1.5    | 44.5          | 13.5 |   |   |   | 19   |   |  |
| S819-20-08 (S)   | 1/2"      | 1.5    | 50            | 15.5 |   |   |   | 22   |   |  |
| S819-22-08 (S)   | 1/2"      | 1.5    | 50            | 15.5 |   |   |   | 26   |   |  |

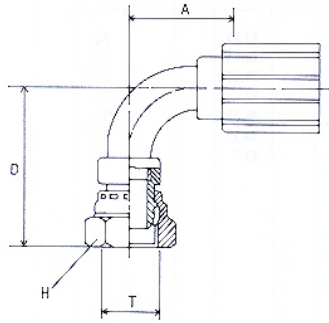




[Contents Page](#)

| <b>S851 SERIES – METRIC 90° SWEEP ELBOW 60° CONE (SOLID PIECE) – STANDARD TAIL</b> |                  |               |                      |          |          |          |          |          |          |
|--|------------------|---------------|----------------------|----------|----------|----------|----------|----------|----------|
| <b>PART NUMBER</b>   | <b>HOSE BORE</b> | <b>THREAD</b> | <b>DIMENSIONS mm</b> |          |          |          |          |          |          |
|  | <b>I</b>         | <b>T</b>      | <b>A</b>             | <b>B</b> | <b>C</b> | <b>D</b> | <b>E</b> | <b>H</b> | <b>L</b> |
| S851-14-04 (VS)  | 1/4"             | 14 x 1.5      | 28                   |          |          | 39       |          | 19       |          |
| S851-16-06 (VS)  | 3/8"             | 16 x 1.5      | 33                   |          |          | 47       |          | 22       |          |
| S851-18-06 (VS)  | 3/8"             | 18 x 1.5      | 33                   |          |          | 48       |          | 22       |          |
| S851-22-08 (VS)  | 1/2"             | 22 x 1.5      | 39                   |          |          | 55       |          | 26       |          |
| S851-26-10 (VS)  | 5/8"             | 26 x 1.5      | 44                   |          |          | 65       |          | 32       |          |
| S851-30-12 (VS)  | 3/4"             | 30 x 1.5      | 50                   |          |          | 67       |          | 35       |          |
| S851-38-16 (VS)  | 1"               | 38 x 1.5      | 62                   |          |          | 79       |          | 44       |          |
| S851-45-20 (VS)  | 1-1/4"           | 45 x 1.5      | 69                   |          |          | 82       |          | 57       |          |

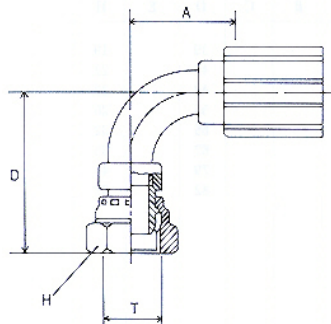
| <b>S851 SERIES – METRIC 90° SWEEP ELBOW 60° CONE (SOLID PIECE) – MULTISPIRAL TAIL</b> |                  |               |                      |          |          |          |          |          |          |
|---|------------------|---------------|----------------------|----------|----------|----------|----------|----------|----------|
| <b>PART NUMBER</b>  | <b>HOSE BORE</b> | <b>THREAD</b> | <b>DIMENSIONS mm</b> |          |          |          |          |          |          |
|   | <b>I</b>         | <b>T</b>      | <b>A</b>             | <b>B</b> | <b>C</b> | <b>D</b> | <b>E</b> | <b>H</b> | <b>L</b> |
| S851-30-12 (VL)   | 3/4"             | 30 x 1.5      | 50                   |          |          | 67       |          | 35       |          |
| S851-38-16 (VL)   | 1"               | 38 x 1.5      | 62                   |          |          | 79       |          | 44       |          |
| S851-45-20 (VL)   | 1-1/4"           | 45 x 1.5      | 69                   |          |          | 82       |          | 57       |          |



[Contents Page](#)

| <b>S853 SERIES – METRIC 90° SWEEP ELBOW – LIGHT DUTY 24° SEAT – STANDARD TAIL (SOLID PIECE)</b> |                  |               |                      |          |          |          |          |          |          |
|---|------------------|---------------|----------------------|----------|----------|----------|----------|----------|----------|
| <b>PART NUMBER</b>  | <b>HOSE BORE</b> | <b>THREAD</b> | <b>DIMENSIONS mm</b> |          |          |          |          |          |          |
|   | <b>I</b>         | <b>T</b>      | <b>A</b>             | <b>B</b> | <b>C</b> | <b>D</b> | <b>E</b> | <b>H</b> | <b>L</b> |
| S853-14-04 (VS)   | 1/4"             | 14 x 1.5      | 28                   |          |          | 40       |          | 19       |          |
| S853-18-06 (VS)   | 3/8"             | 18 x 1.5      | 33                   |          |          | 48       |          | 22       |          |
| S853-22-08 (VS)   | 1/2"             | 22 x 1.5      | 39                   |          |          | 55       |          | 26       |          |
| S853-26-10 (VS)   | 5/8"             | 26 x 1.5      | 44                   |          |          | 65       |          | 32       |          |
| S853-30-12 (VS)   | 3/4"             | 30 x 2        | 50                   |          |          | 67       |          | 35       |          |
| S853-36-16 (VS)   | 1"               | 36 x 2        | 63                   |          |          | 79       |          | 44       |          |
| S853-45-20 (VS)   | 1-1/4"           | 45 x 2        | 69                   |          |          | 82       |          | 57       |          |
| S853-52-2 (VS)  | 1-1/2"           | 52 x 2        | 82                   |          |          | 84       |          | 57       |          |

| <b>S853 SERIES – METRIC 90° SWEEP ELBOW – LIGHT DUTY 24° SEAT – MULTISPIRAL TAIL (SOLID PIECE)</b> |                  |               |                      |          |          |          |          |          |          |
|--|------------------|---------------|----------------------|----------|----------|----------|----------|----------|----------|
| <b>PART NUMBER</b>   | <b>HOSE BORE</b> | <b>THREAD</b> | <b>DIMENSIONS mm</b> |          |          |          |          |          |          |
|  | <b>I</b>         | <b>T</b>      | <b>A</b>             | <b>B</b> | <b>C</b> | <b>D</b> | <b>E</b> | <b>H</b> | <b>L</b> |
| S853-30-12 (VL)  | 3/4"             | 30 x 2        | 50                   |          |          | 67       |          | 35       |          |
| S853-36-16 (VL)  | 1"               | 36 x 2        | 63                   |          |          | 79       |          | 44       |          |
| S853-45-20 (VL)  | 1-1/4"           | 45 x 2        | 69                   |          |          | 82       |          | 57       |          |
| S853-52-24 (VL)  | 1-1/2"           | 52 x 2        | 82                   |          |          | 84       |          | 57       |          |



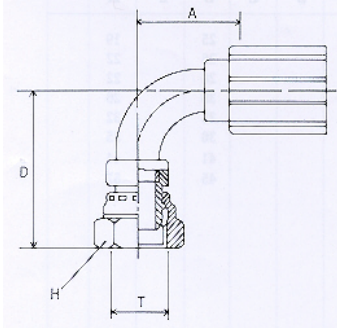
[Contents Page](#)

**S854 SERIES – METRIC 90° SWEPT ELBOW – HEAVY DUTY 24° SEAT  
– STANDARD TAIL (SOLID PIECE)**

| PART NUMBER       | HOSE BORE | THREAD   | DIMENSIONS mm |   |   |    |   |    |   |
|-------------------|-----------|----------|---------------|---|---|----|---|----|---|
|                   | I         | T        | A             | B | C | D  | E | H  | L |
| S854-18-04 (VS)   | 1/4"      | 18 x 1.5 | 28            |   |   | 41 |   | 22 |   |
| S854-22-06 (VS)   | 3/8"      | 22 x 1.5 | 32            |   |   | 46 |   | 26 |   |
| S854-24-08 (VS)   | 1/2"      | 24 x 1.5 | 39            |   |   | 53 |   | 29 |   |
| S854-30-10 (VS)   | 5/8"      | 30 x 2   | 44            |   |   | 58 |   | 35 |   |
| S854-36-12 (VS)   | 3/4"      | 36 x 2   | 50            |   |   | 66 |   | 44 |   |
| S854-42-16 (VS)   | 1"        | 42 x 2   | 63            |   |   | 75 |   | 48 |   |
| S854-52-20 • (VS) | 1-1/4"    | 52 x 2   | 69            |   |   | 84 |   | 57 |   |

**S854 SERIES – METRIC 90° SWEPT ELBOW – HEAVY DUTY 24° SEAT  
– MULTISPIRAL TAIL (SOLID PIECE)**

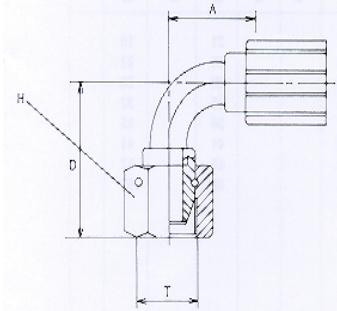
| PART NUMBER     | HOSE BORE | THREAD | DIMENSIONS mm |   |   |    |   |    |   |
|-----------------|-----------|--------|---------------|---|---|----|---|----|---|
|                 | I         | T      | A             | B | C | D  | E | H  | L |
| S854-36-12 (VL) | 3/4"      | 36 x 2 | 50            |   |   | 66 |   | 44 |   |
| S854-42-16 (VL) | 1"        | 42 x 2 | 63            |   |   | 75 |   | 48 |   |
| S854-52-20 (VL) | 1-1/4"    | 52 x 2 | 69            |   |   | 84 |   | 57 |   |



[Contents Page](#)

| <b>S855 SERIES – METRIC 90° SWEPT ELBOW – FRENCH TYPE 24° SEAT – STANDARD TAIL (SOLID PIECE)</b> |                  |               |                      |          |          |          |          |          |          |
|--|------------------|---------------|----------------------|----------|----------|----------|----------|----------|----------|
| <b>PART NUMBER</b>   | <b>HOSE BORE</b> | <b>THREAD</b> | <b>DIMENSIONS mm</b> |          |          |          |          |          |          |
|  | <b>I</b>         | <b>T</b>      | <b>A</b>             | <b>B</b> | <b>C</b> | <b>D</b> | <b>E</b> | <b>H</b> | <b>L</b> |
| S855-20-06 (VS)  | 3/8"             | 20 x 1.5      | 33                   |          |          | 48       |          | 26       |          |
| S855-24-08 (VS)  | 1/2"             | 24 x 1.5      | 39                   |          |          | 56       |          | 29       |          |
| S855-30-10 (VS)  | 5/8"             | 30 x 1.5      | 44                   |          |          | 64       |          | 35       |          |
| S855-36-12 (VS)  | 3/4"             | 36 x 1.5      | 50                   |          |          | 65       |          | 44       |          |
| S855-45-16 (VS)  | 1"               | 45 x 1.5      | 63                   |          |          | 77       |          | 57       |          |

| <b>S855 SERIES – METRIC 90° SWEPT ELBOW – FRENCH TYPE 24° SEAT – MLTISPIRAL TAIL (SOLID PIECE)</b> |                  |               |                      |          |          |          |          |          |          |
|--|------------------|---------------|----------------------|----------|----------|----------|----------|----------|----------|
| <b>PART NUMBER</b>   | <b>HOSE BORE</b> | <b>THREAD</b> | <b>DIMENSIONS mm</b> |          |          |          |          |          |          |
|  | <b>I</b>         | <b>T</b>      | <b>A</b>             | <b>B</b> | <b>C</b> | <b>D</b> | <b>E</b> | <b>H</b> | <b>L</b> |
| S855-36-12 (VL)  | 3/4"             | 36 x 1.5      | 50                   |          |          | 65       |          | 44       |          |
| S855-45-16 (VL)  | 1"               | 45 x 1.5      | 63                   |          |          | 77       |          | 57       |          |



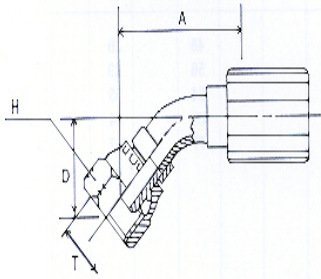
[Contents Page](#)

**S856 SERIES – METRIC 90° ‘O’-RING SWEPT ELBOW (DKO)  
– STANDARD TAIL (SOLID PIECE)**

| PART NUMBER       | HOSE BORE | THREAD   | DIMENSIONS mm |   |   |    |   |    |   |  |
|-------------------|-----------|----------|---------------|---|---|----|---|----|---|--|
|                   | I         | T        | A             | B | C | D  | E | H  | L |  |
| S856-20-06 • (VS) | 3/8"      | 20 x 1.5 | 32            |   |   | 44 |   | 26 |   |  |
| S856-22-06 • (VS) | 3/8"      | 22 x 1.5 | 32            |   |   | 47 |   | 26 |   |  |
| S856-24-08 • (VS) | 1/2"      | 24 x 1.5 | 39            |   |   | 53 |   | 29 |   |  |
| S856-30-10 • (VS) | 5/8"      | 30 x 2   | 44            |   |   | 58 |   | 35 |   |  |
| S856-36-12 • (VS) | 3/4"      | 36 x 2   | 50            |   |   | 64 |   | 44 |   |  |
| S856-42-16 • (VS) | 1"        | 42 x 2   | 63            |   |   | 76 |   | 48 |   |  |
| S856-52-16 • (VS) | 1"        | 52 x 2   | 63            |   |   | 86 |   | 65 |   |  |
| S856-52-20 • (VS) | 1-1/4"    | 52 x 2   | 69            |   |   | 86 |   | 65 |   |  |

**S856 SERIES – METRIC 90° ‘O’-RING SWEPT ELBOW (DKO)  
– MULTISPIRAL TAIL (SOLID PIECE)**

| PART NUMBER       | HOSE BORE | THREAD | DIMENSIONS mm |   |   |    |   |    |   |  |
|-------------------|-----------|--------|---------------|---|---|----|---|----|---|--|
|                   | I         | T      | A             | B | C | D  | E | H  | L |  |
| S856-36-12 • (VL) | 3/4"      | 36 x 2 | 50            |   |   | 64 |   | 44 |   |  |
| S856-42-16 • (VL) | 1"        | 42 x 2 | 63            |   |   | 76 |   | 48 |   |  |
| S856-52-16 • (VL) | 1"        | 52 x 2 | 63            |   |   | 86 |   | 65 |   |  |
| S856-52-20 • (VL) | 1-1/4"    | 52 x 2 | 69            |   |   | 86 |   | 65 |   |  |



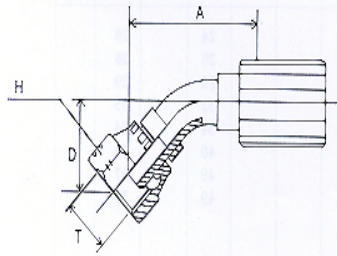
[Contents Page](#)

**S861 SERIES – METRIC 45° SWEPT ELBOW 60° SEAT  
– STANDARD TAIL (SOLID PIECE)**

| PART NUMBER     | HOSE BORE | THREAD   | DIMENSIONS mm |   |   |    |   |    |   |
|-----------------|-----------|----------|---------------|---|---|----|---|----|---|
|                 | I         | T        | A             | B | C | D  | E | H  | L |
| S861-14-04 (VS) | 1/4"      | 14 x 1.5 | 40            |   |   | 25 |   | 19 |   |
| S861-16-06 (VS) | 3/8"      | 16 x 1.5 | 44            |   |   | 26 |   | 22 |   |
| S861-18-06 (VS) | 3/8"      | 18 x 1.5 | 45            |   |   | 26 |   | 22 |   |
| S861-22-08 (VS) | 1/2"      | 22 x 1.5 | 45            |   |   | 30 |   | 26 |   |
| S861-26-10 (VS) | 5/8"      | 26 x 1.5 | 57            |   |   | 35 |   | 32 |   |
| S861-30-12 (VS) | 3/4"      | 30 x 1.5 | 57            |   |   | 36 |   | 35 |   |
| S861-38-16 (VS) | 1"        | 38 x 1.5 | 69            |   |   | 41 |   | 44 |   |
| S861-45-20 (VS) | 1-1/4"    | 45 x 1.5 | 77            |   |   | 45 |   | 57 |   |

**S861 SERIES – METRIC 45° SWEPT ELBOW 60° SEAT  
– MULTISPIRAL TAIL (SOLID PIECE)**

| PART NUMBER     | HOSE BORE | THREAD   | DIMENSIONS mm |   |   |    |   |    |   |
|-----------------|-----------|----------|---------------|---|---|----|---|----|---|
|                 | I         | T        | A             | B | C | D  | E | H  | L |
| S861-30-12 (VL) | 3/4"      | 30 x 1.5 | 57            |   |   | 36 |   | 35 |   |
| S861-38-16 (VL) | 1"        | 38 x 1.5 | 69            |   |   | 41 |   | 44 |   |
| S861-45-20 (VL) | 1-1/4"    | 45 x 1.5 | 77            |   |   | 45 |   | 57 |   |



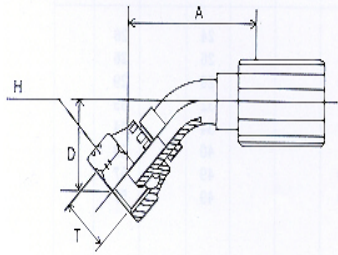
[Contents Page](#)

**S863 SERIES – METRIC 45° SWEEP ELBOW – LIGHT DUTY 24° SEAT  
– STANDARD TAIL (SOLID PIECE)**

| PART NUMBER       | HOSE BORE | THREAD   | DIMENSIONS mm |   |   |    |   |    |   |
|-------------------|-----------|----------|---------------|---|---|----|---|----|---|
|                   | I         | T        | A             | B | C | D  | E | H  | L |
| S863-14-04 (VS)   | 1/4"      | 14 x 1.5 | 37            |   |   | 21 |   | 19 |   |
| S863-18-06 (VS)   | 3/8"      | 18 x 1.5 | 43            |   |   | 26 |   | 22 |   |
| S863-22-08 (VS)   | 1/2"      | 22 x 1.5 | 46            |   |   | 30 |   | 26 |   |
| S863-26-10 (VS)   | 5/8"      | 26 x 1.5 | 54            |   |   | 35 |   | 32 |   |
| S863-30-12 (VS)   | 3/4"      | 30 x 2   | 57            |   |   | 36 |   | 35 |   |
| S863-36-16 (VS)   | 1"        | 36 x 2   | 69            |   |   | 41 |   | 44 |   |
| S863-45-20 • (VS) | 1-1/4"    | 45 x 2   | 81            |   |   | 45 |   | 57 |   |
| S863-52-24 • (VS) | 1-1/2"    | 52 x 2   | 104           |   |   | 58 |   | 57 |   |

**S863 SERIES – METRIC 45° SWEEP ELBOW – LIGHT DUTY 24° SEAT  
– MULTISPIRAL TAIL (SOLID PIECE)**

| PART NUMBER       | HOSE BORE | THREAD | DIMENSIONS mm |   |   |    |   |    |   |
|-------------------|-----------|--------|---------------|---|---|----|---|----|---|
|                   | I         | T      | A             | B | C | D  | E | H  | L |
| S863-30-12 (VL)   | 3/4"      | 30 x 2 | 57            |   |   | 36 |   | 35 |   |
| S863-36-16 (VL)   | 1"        | 36 x 2 | 69            |   |   | 41 |   | 44 |   |
| S863-45-20 • (VL) | 1-1/4"    | 45 x 2 | 81            |   |   | 45 |   | 57 |   |
| S863-52-24 • (VL) | 1-1/2"    | 52 x 2 | 104           |   |   | 58 |   | 57 |   |



[Contents Page](#)

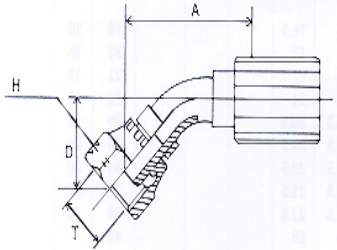
**S864 SERIES – METRIC 45° SWEPT ELBOW – HEAVY DUTY 24° SEAT – STANDARD TAIL (SOLID PIECE)**

| PART NUMBER       | HOSE BORE | THREAD   | DIMENSIONS mm |   |   |    |   |    |   |  |
|-------------------|-----------|----------|---------------|---|---|----|---|----|---|--|
|                   | I         | T        | A             | B | C | D  | E | H  | L |  |
| S864-18-04 (VS)   | 1/4"      | 18 x 1.5 | 39            |   |   | 26 |   | 22 |   |  |
| S864-22-06 (VS)   | 3/8"      | 22 x 1.5 | 42            |   |   | 30 |   | 26 |   |  |
| S864-24-08 (VS)   | 1/2"      | 24 x 1.5 | 46            |   |   | 34 |   | 29 |   |  |
| S864-30-10 (VS)   | 5/8"      | 30 x 2   | 53            |   |   | 36 |   | 35 |   |  |
| S864-36-12 (VS)   | 3/4"      | 36 x 2   | 59            |   |   | 41 |   | 44 |   |  |
| S864-42-16 • (VS) | 1"        | 42 x 2   | 68            |   |   | 44 |   | 48 |   |  |
| S864-52-20 • (VS) | 1-1/4"    | 52 x 2   | 80            |   |   | 45 |   | 57 |   |  |

**S864 SERIES – METRIC 45° SWEPT ELBOW – HEAVY DUTY 24° SEAT – MULTISPIRAL TAIL (SOLID PIECE)**

| PART NUMBER       | HOSE BORE | THREAD | DIMENSIONS mm |   |   |    |   |    |   |  |
|-------------------|-----------|--------|---------------|---|---|----|---|----|---|--|
|                   | I         | T      | A             | B | C | D  | E | H  | L |  |
| S864-36-12 (VL)   | 3/4"      | 36 x 2 | 59            |   |   | 41 |   | 44 |   |  |
| S864-42-16 • (VL) | 1"        | 42 x 2 | 68            |   |   | 44 |   | 48 |   |  |
| S864-52-20 • (VL) | 1-1/4"    | 52 x 2 | 80            |   |   | 45 |   | 57 |   |  |





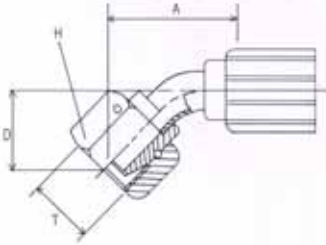
[Contents Page](#)

**S865 SERIES – METRIC 45° SWEPT ELBOW – FRENCH TYPE 24° SEAT  
– STANDARD TAIL (SOLID PIECE)**

| PART NUMBER       | HOSE BORE | THREAD   | DIMENSIONS mm |   |   |    |   |    |   |  |
|-------------------|-----------|----------|---------------|---|---|----|---|----|---|--|
|                   | I         | T        | A             | B | C | D  | E | H  | L |  |
| S865-20-06 (VS)   | 3/8"      | 20 x 1.5 | 49            |   |   | 27 |   | 26 |   |  |
| S865-24-08 (VS)   | 1/2"      | 24 x 1.5 | 56            |   |   | 31 |   | 29 |   |  |
| S865-30-10 (VS)   | 5/8"      | 30 x 1.5 | 56            |   |   | 31 |   | 35 |   |  |
| S865-36-12 (VS)   | 3/4"      | 36 x 1.5 | 62            |   |   | 35 |   | 44 |   |  |
| S865-45-16 • (VS) | 1"        | 45 x 1.5 | 82            |   |   | 42 |   | 57 |   |  |

**S865 SERIES – METRIC 45° SWEPT ELBOW – FRENCH TYPE 24° SEAT  
– MULTISPIRAL TAIL (SOLID PIECE)**

| PART NUMBER       | HOSE BORE | THREAD   | DIMENSIONS mm |   |   |    |   |    |   |  |
|-------------------|-----------|----------|---------------|---|---|----|---|----|---|--|
|                   | I         | T        | A             | B | C | D  | E | H  | L |  |
| S865-36-12 (VL)   | 3/4"      | 36 x 1.5 | 62            |   |   | 35 |   | 44 |   |  |
| S865-45-16 • (VL) | 1"        | 45 x 1.5 | 82            |   |   | 42 |   | 57 |   |  |



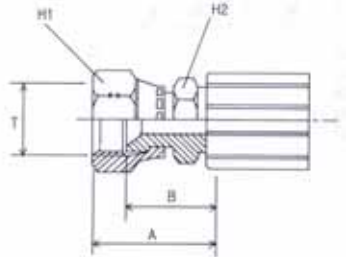
[Contents Page](#)

**S866 SERIES – METRIC 45° ‘0’ – RING SWEPT ELBOW (DKO)  
– STANDARD TAIL (SOLID PIECE)**

| PART NUMBER       | HOSE BORE | THREAD   | DIMENSIONS mm |   |   |    |   |    |   |  |
|-------------------|-----------|----------|---------------|---|---|----|---|----|---|--|
|                   | I         | T        | A             | B | C | D  | E | H  | L |  |
| S866-20-06 (VS)   | 3/8"      | 20 x 1.5 | 46            |   |   | 24 |   | 26 |   |  |
| S866-22-06 (VS)   | 3/8"      | 22 x 1.5 | 48            |   |   | 26 |   | 26 |   |  |
| S866-24-08 (VS)   | 1/2"      | 24 x 1.5 | 50            |   |   | 29 |   | 29 |   |  |
| S866-30-10 (VS)   | 5/8"      | 30 x 2   | 58            |   |   | 32 |   | 35 |   |  |
| S866-36-12 (VS)   | 3/4"      | 36 x 2   | 62            |   |   | 34 |   | 44 |   |  |
| S866-42-16 • (VS) | 1"        | 42 x 2   | 71            |   |   | 40 |   | 48 |   |  |
| S866-52-16 • (VS) | 1"        | 52 x 2   | 90            |   |   | 49 |   | 57 |   |  |
| S866-52-20 • (VS) | 1-1/4"    | 52 x 2   | 90            |   |   | 49 |   | 57 |   |  |

**S866 SERIES – METRIC 45° ‘0’ – RING SWEPT ELBOW (DKO)  
– MULTISPIRAL TAIL (SOLID PIECE)**

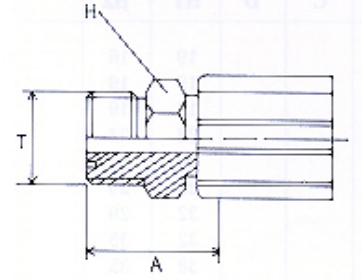
| PART NUMBER       | HOSE BORE | THREAD | DIMENSIONS mm |   |   |    |   |    |   |  |
|-------------------|-----------|--------|---------------|---|---|----|---|----|---|--|
|                   | I         | T      | A             | B | C | D  | E | H  | L |  |
| S866-36-12 (VL)   | 3/4"      | 36 x 2 | 62            |   |   | 34 |   | 44 |   |  |
| S866-42-16 • (VL) | 1"        | 42 x 2 | 71            |   |   | 40 |   | 48 |   |  |
| S866-52-16 • (VL) | 1"        | 52 x 2 | 90            |   |   | 49 |   | 57 |   |  |
| S866-52-20 • (VL) | 1-1/4"    | 52 x 2 | 90            |   |   | 49 |   | 57 |   |  |



[Contents Page](#)

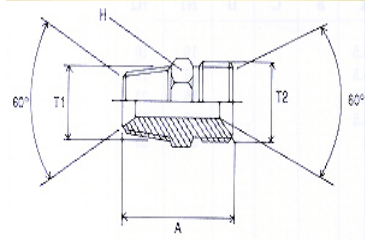
| <b>S870 SERIES – JAPANESE METRIC FEMALE 30° SEAT<br/>– STANDARD TAIL</b> |                  |               |                      |          |          |          |          |           |           |
|--|------------------|---------------|----------------------|----------|----------|----------|----------|-----------|-----------|
| <b>PART NUMBER</b>   | <b>HOSE BORE</b> | <b>THREAD</b> | <b>DIMENSIONS mm</b> |          |          |          |          |           |           |
|  | <b>I</b>         | <b>T</b>      | <b>A</b>             | <b>B</b> | <b>C</b> | <b>D</b> | <b>E</b> | <b>H1</b> | <b>H2</b> |
| S870-14-04 (S)   | 1/4"             | 14 x 1.5      | 22                   | 16.5     |          |          |          | 19        | 16        |
| S870-16-06 (S)   | 3/8"             | 16 x 1.5      | 24                   | 17       |          |          |          | 22        | 16        |
| S870-18-06 (S)   | 3/8"             | 18 x 1.5      | 26                   | 17       |          |          |          | 22        | 19        |
| S870-22-08 (S)   | 1/2"             | 22 x 1.5      | 33                   | 21       |          |          |          | 26        | 22        |
| S870-24-08 (S)   | 1/2"             | 24 x 1.5      | 33.5                 | 20.5     |          |          |          | 29        | 26        |
| S870-24-10 (S)   | 5/8"             | 24 x 1.5      | 36.5                 | 23.5     |          |          |          | 29        | 26        |
| S870-30-12 (S)   | 3/4"             | 30 x 1.5      | 36.5                 | 23.5     |          |          |          | 35        | 29        |
| S870-33-12 (S)   | 3/4"             | 33 x 1.5      | 37.5                 | 22.5     |          |          |          | 38        | 32        |
| S870-33-16 (S)   | 1"               | 33 x 1.5      | 37.5                 | 22.5     |          |          |          | 38        | 32        |
| S870-36-16 (S)   | 1"               | 36 x 1.5      | 40                   | 26       |          |          |          | 44        |           |
| S870-36-20 (S)   | 1-1/4"           | 36 x 1.5      | 45                   | 26       |          |          |          | 44        |           |
| S870-42-20 • (S)   | 1-1/4"           | 42 x 1.5      | 48                   | 28       |          |          |          | 48        |           |
| S870-42-24 • (S)   | 1-1/2"           | 42 x 1.5      | 48                   | 28       |          |          |          | 48        |           |

| <b>S870 SERIES – JAPANESE METRIC FEMALE 30° SEAT<br/>– MULTISPIRAL TAIL</b> |                  |               |                      |          |          |          |          |           |           |
|---|------------------|---------------|----------------------|----------|----------|----------|----------|-----------|-----------|
| <b>PART NUMBER</b>  | <b>HOSE BORE</b> | <b>THREAD</b> | <b>DIMENSIONS mm</b> |          |          |          |          |           |           |
|   | <b>I</b>         | <b>T</b>      | <b>A</b>             | <b>B</b> | <b>C</b> | <b>D</b> | <b>E</b> | <b>H1</b> | <b>H2</b> |
| S870-30-12 (L)  | 3/4"             | 30 x 1.5      | 36.5                 | 23.5     |          |          |          | 35        | 29        |
| S870-33-12 (L)  | 3/4"             | 33 x 1.5      | 37.5                 | 22.5     |          |          |          | 38        | 32        |
| S870-33-16 (L)  | 1"               | 33 x 1.5      | 37.5                 | 22.5     |          |          |          | 38        | 32        |
| S870-36-16 (L)  | 1"               | 36 x 1.5      | 40                   | 26       |          |          |          | 44        |           |
| S870-36-20 (L)  | 1-1/4"           | 36 x 1.5      | 45                   | 26       |          |          |          | 44        |           |
| S870-42-20 • (L)  | 1-1/4"           | 42 x 1.5      | 48                   | 28       |          |          |          | 48        |           |
| S870-42-24 • (L)  | 1-1/2"           | 42 x 1.5      | 48                   | 28       |          |          |          | 48        |           |



[Contents Page](#)

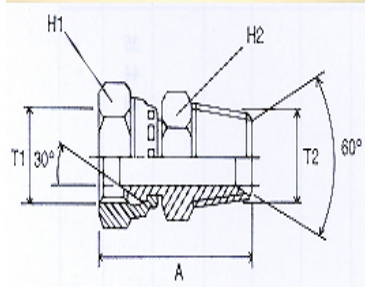
| S880 SERIES – METRIC MALE WITH ‘0’ RING GROOVE<br>– MULTISPIRAL TAIL |           |          |               |   |   |   |   |   |    |  |
|--|-----------|----------|---------------|---|---|---|---|---|----|--|
| PART NUMBER  | HOSE BORE | THREAD   | DIMENSIONS mm |   |   |   |   |   |    |  |
|  | I         | T        | A             | B | C | D | E | H | L  |  |
| S880-32-12 (L)   | 3/4"      | 32 x 1.5 | 32            |   |   |   |   |   | 35 |  |
| S880-40-16 (L)   | 1"        | 40 x 1.5 | 38            |   |   |   |   |   | 44 |  |
| S880-45-20 (L)   | 1-1/4"    | 45 x 1.5 | 40.5          |   |   |   |   |   | 48 |  |



[Contents Page](#)

### ADAB SERIES BSPT – BSPP ADAPTORS

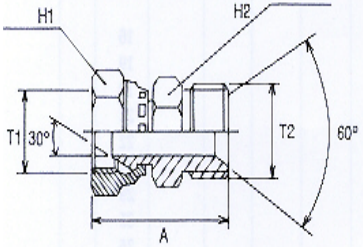
| PART NUMBER | THREAD   |          | DIMENSIONS mm |   |   |   |   |   |    |  |
|-------------|----------|----------|---------------|---|---|---|---|---|----|--|
|             | T1       | T2       | A             | B | C | D | E | H | L  |  |
| ADAB-04-04  | 1/4 – 19 | 1/4 – 19 | 30.5          |   |   |   |   |   | 16 |  |
| ADAB-06-04  | 3/8 – 19 | 1/4 – 19 | 32            |   |   |   |   |   | 19 |  |
| ADAB-06-06  | 3/8 – 19 | 3/8 – 19 | 33.5          |   |   |   |   |   | 19 |  |
| ADAB-08-06  | 1/2 – 14 | 3/8 – 19 | 38.5          |   |   |   |   |   | 22 |  |
| ADAB-08-08  | 1/2 – 14 | 1/2 – 14 | 41.5          |   |   |   |   |   | 22 |  |
| ADAB-12-08  | 3/4 – 14 | 1/2 – 14 | 46            |   |   |   |   |   | 29 |  |
| ADAB-12-12  | 3/4 – 14 | 3/4 – 14 | 49            |   |   |   |   |   | 29 |  |
| ADAB-16-12  | 1" – 11  | 3/4 – 14 | 55.5          |   |   |   |   |   | 35 |  |
| ADAB-16-16  | 1" – 11  | 1" – 11  | 58.5          |   |   |   |   |   | 35 |  |



[Contents Page](#)

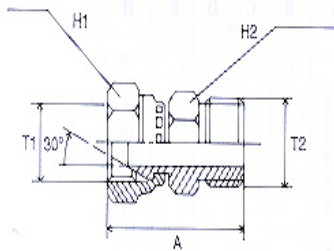
### ADCA SERIES – BSPP FEMALE – BSPT ADAPTORS

| PART NUMBER | THREAD   |          | DIMENSIONS mm |   |   |   |   |    |    |  |
|-------------|----------|----------|---------------|---|---|---|---|----|----|--|
|             | T1       | T2       | A             | B | C | D | E | H1 | H2 |  |
| ADCA-04-04  | 1/4 – 19 | 1/4 – 19 | 35.5          |   |   |   |   | 19 | 16 |  |
| ADCA-04-06  | 1/4 – 19 | 3/8 – 19 | 36.5          |   |   |   |   | 19 | 19 |  |
| ADCA-06-06  | 3/8 – 19 | 3/8 – 19 | 37.5          |   |   |   |   | 22 | 19 |  |
| ADCA-06-08  | 3/8 – 19 | 1/2 – 14 | 43            |   |   |   |   | 22 | 22 |  |
| ADCA-08-08  | 1/2 – 14 | 1/2 – 14 | 44            |   |   |   |   | 26 | 22 |  |
| ADCA-08-12  | 1/2 – 14 | 3/4 – 14 | 48.5          |   |   |   |   | 26 | 29 |  |
| ADCA-12-12  | 3/4 – 14 | 3/4 – 14 | 55            |   |   |   |   | 32 | 29 |  |
| ADCA-12-16  | 3/4 – 14 | 1" – 11  | 61.5          |   |   |   |   | 32 | 35 |  |
| ADCA-16-16  | 1" – 11  | 1" – 11  | 65.5          |   |   |   |   | 38 | 35 |  |



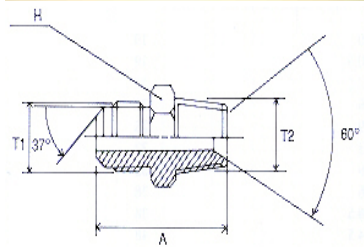
[Contents Page](#)

| <b>ADCB SERIES – BSPP FEMALE – BSPP ADAPTORS</b> |               |           |                      |          |          |          |          |           |           |    |
|--|---------------|-----------|----------------------|----------|----------|----------|----------|-----------|-----------|----|
| <b>PART NUMBER</b>                               | <b>THREAD</b> |           | <b>DIMENSIONS mm</b> |          |          |          |          |           |           |    |
|  | <b>T1</b>     | <b>T2</b> | <b>A</b>             | <b>B</b> | <b>C</b> | <b>D</b> | <b>E</b> | <b>H1</b> | <b>H2</b> |    |
| ADCB-04-04                                       | 1/4 – 19      | 1/4 – 19  | 33.5                 |          |          |          |          |           | 19        | 16 |
| ADCB-06-06                                       | 3/8 – 19      | 3/8 – 19  | 36.5                 |          |          |          |          |           | 22        | 19 |
| ADCB-08-08                                       | 1/2 – 14      | 1/2 – 14  | 42.5                 |          |          |          |          |           | 26        | 22 |
| ADCB-12-12                                       | 3/4 – 14      | 3/4 – 14  | 53.5                 |          |          |          |          |           | 32        | 29 |
| ADCB-16-16                                       | 1" – 11       | 1" – 11   | 64                   |          |          |          |          |           | 38        | 35 |



[Contents Page](#)

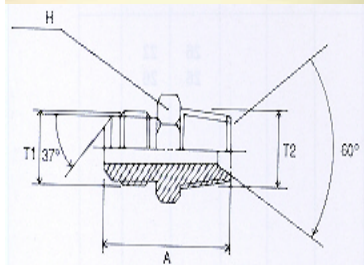
| <b>ADCN SERIES – BSPP FEMALE – UN 'O' –RING BOSS ADAPTORS</b> |               |           |                      |          |          |          |          |           |           |    |
|---|---------------|-----------|----------------------|----------|----------|----------|----------|-----------|-----------|----|
| <b>PART NUMBER</b>  | <b>THREAD</b> |           | <b>DIMENSIONS mm</b> |          |          |          |          |           |           |    |
|   | <b>T1</b>     | <b>T2</b> | <b>A</b>             | <b>B</b> | <b>C</b> | <b>D</b> | <b>E</b> | <b>H1</b> | <b>H2</b> |    |
| ADCN-08-12  | 1/2 – 14      | 3/4 – 16  | 38                   |          |          |          |          |           | 26        | 22 |
| ADCN-08-14  | 1/2 – 14      | 7/8 – 14  | 41.7                 |          |          |          |          |           | 26        | 26 |



[Contents Page](#)

### ADGA SERIES – JIC-BSPT ADAPTORS

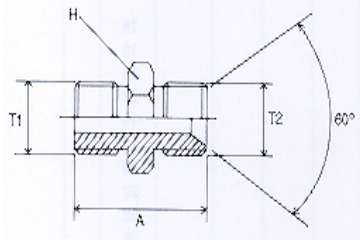
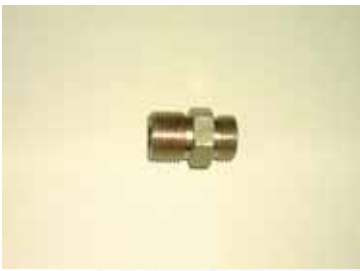
| PART NUMBER | THREAD      |            | DIMENSIONS mm |   |   |   |   |   |    |  |
|-------------|-------------|------------|---------------|---|---|---|---|---|----|--|
|             | I           | T          | A             | B | C | D | E | H | L  |  |
| ADGA-07-04  | 7/16 – 20   | 1/4 – 19   | 33.5          |   |   |   |   |   | 16 |  |
| ADGA-08-04  | 1/2 – 20    | 1/4 – 19   | 33.5          |   |   |   |   |   | 16 |  |
| ADGA-09-04  | 9/16 – 18   | 1/4 – 19   | 33.5          |   |   |   |   |   | 16 |  |
| ADGA-12-04  | 3/4 – 16    | 1/4 – 19   | 36.5          |   |   |   |   |   | 22 |  |
| ADGA-09-06  | 9/16 – 18   | 3/8 – 19   | 36            |   |   |   |   |   | 19 |  |
| ADGA-12-06  | 3/4 – 16    | 3/8 – 19   | 38            |   |   |   |   |   | 22 |  |
| ADGA-14-06  | 7/8 – 14    | 3/8 – 19   | 41.5          |   |   |   |   |   | 26 |  |
| ADGA-09-08  | 9/16 – 18   | 1/2 – 14   | 40            |   |   |   |   |   | 22 |  |
| ADGA-12-08  | 3/4 – 16    | 1/2 – 14   | 42            |   |   |   |   |   | 22 |  |
| ADGA-14-08  | 7/8 – 14    | 1/2 – 14   | 44.5          |   |   |   |   |   | 26 |  |
| ADGA-14-12  | 7/8 – 14    | 3/4 – 14   | 49.5          |   |   |   |   |   | 29 |  |
| ADGA-17-12  | 1-1/16 – 12 | 3/4 – 14   | 52.5          |   |   |   |   |   | 29 |  |
| ADGA-19-12  | 1-3/16 – 12 | 3/4 – 14   | 54            |   |   |   |   |   | 32 |  |
| ADGA-21-12  | 1-5/16 – 12 | 3/4 – 14   | 54.5          |   |   |   |   |   | 35 |  |
| ADGA-17-16  | 1-1/16 – 12 | 1" – 11    | 55            |   |   |   |   |   | 35 |  |
| ADGA-19-16  | 1-3/16 – 12 | 1" – 11    | 55.5          |   |   |   |   |   | 35 |  |
| ADGA-21-16  | 1-5/16 – 12 | 1" – 11    | 56            |   |   |   |   |   | 35 |  |
| ADGA-26-16  | 1-5/8 – 12  | 1" – 11    | 56.5          |   |   |   |   |   | 44 |  |
| ADGA-21-20  | 1-5/16 – 12 | 1-1/4 – 11 | 60.5          |   |   |   |   |   | 44 |  |
| ADGA-26-20  | 1-5/8 – 12  | 1-1/4 – 11 | 61.5          |   |   |   |   |   | 44 |  |
| ADGA-30-24  | 1-7/8 – 12  | 1-1/2 – 11 | 65            |   |   |   |   |   | 48 |  |



[Contents Page](#)

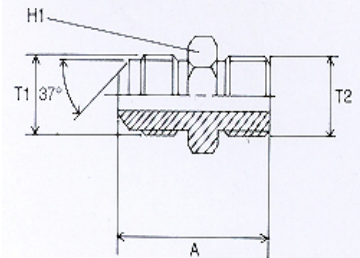
### ADGL SERIES – JIC-NPT ADAPTORS

| PART NUMBER | THREAD      |                | DIMENSIONS mm |   |   |   |   |   |    |  |
|-------------|-------------|----------------|---------------|---|---|---|---|---|----|--|
|             | T1          | T2             | A             | B | C | D | E | H | L  |  |
| ADGL-07-04  | 7/16 – 20   | 1/4 – 18       | 35            |   |   |   |   |   | 16 |  |
| ADGL-08-04  | 1/2 – 20    | 1/4 – 18       | 35            |   |   |   |   |   | 16 |  |
| ADGL-09-04  | 9/16 – 18   | 1/4 – 18       | 35.5          |   |   |   |   |   | 16 |  |
| ADGL-09-06  | 9/16 – 18   | 3/8 – 18       | 35.5          |   |   |   |   |   | 19 |  |
| ADGL-12-06  | 3/4 – 16    | 3/8 – 18       | 37.5          |   |   |   |   |   | 22 |  |
| ADGL-14-06  | 7/8 – 14    | 3/8 – 18       | 41.5          |   |   |   |   |   | 26 |  |
| ADGL-12-08  | 3/4 – 16    | 1/2 – 14       | 43.5          |   |   |   |   |   | 22 |  |
| ADGL-14-08  | 7/8 – 14    | 1/2 – 14       | 46            |   |   |   |   |   | 26 |  |
| ADGL-17-08  | 1-1/16 – 12 | 1/2 – 14       | 50.5          |   |   |   |   |   | 29 |  |
| ADGL-12-12  | 3/4 – 16    | 3/4 – 14       | 45            |   |   |   |   |   | 29 |  |
| ADGL-14-12  | 7/8 – 14    | 3/4 – 14       | 47.5          |   |   |   |   |   | 29 |  |
| ADGL-17-12  | 1-1/16 – 12 | 3/4 – 14       | 50.5          |   |   |   |   |   | 29 |  |
| ADGL-19-12  | 1-3/16 – 12 | 3/4 – 14       | 51            |   |   |   |   |   | 32 |  |
| ADGL-21-12  | 1-5/16 – 12 | 3/4 – 14       | 51.5          |   |   |   |   |   | 35 |  |
| ADGL-17-16  | 1-1/16 – 12 | 1" – 11-1/2    | 55.5          |   |   |   |   |   | 35 |  |
| ADGL-19-16  | 1-3/16 – 12 | 1" – 11-1/2    | 56            |   |   |   |   |   | 35 |  |
| ADGL-21-16  | 1-5/16 – 12 | 1" – 11-1/2    | 60            |   |   |   |   |   | 35 |  |
| ADGL-26-16  | 1-5/8 – 12  | 1" – 11-1/2    | 59            |   |   |   |   |   | 44 |  |
| ADGL-21-20  | 1-5/16 – 12 | 1-1/4 – 11-1/2 | 60            |   |   |   |   |   | 44 |  |
| ADGL-26-20  | 1-5/8 – 12  | 1-1/4 – 11-1/2 | 60            |   |   |   |   |   | 44 |  |
| ADGL-30-20  | 1-7/8 – 12  | 1-1/4 – 11-1/2 | 56.5          |   |   |   |   |   | 48 |  |



[Contents Page](#)

| ADNB SERIES – ‘O’-RING BOSS – BSPP ADAPTORS |             |            |               |   |   |   |   |    |  |  |
|---|-------------|------------|---------------|---|---|---|---|----|--|--|
| PART NUMBER                                 | THREAD      |            | DIMENSIONS mm |   |   |   |   |    |  |  |
|   | T1          | T2         | A             | B | C | D | E | H  |  |  |
| ADNB-09-04                                  | 9/16 – 18   | 1/4 – 19   | 29            |   |   |   |   | 19 |  |  |
| ADNB-09-06                                  | 9/16 – 18   | 3/8 – 19   | 30.5          |   |   |   |   | 19 |  |  |
| ADNB-12-06                                  | 3/4 – 16    | 3/8 – 19   | 32.5          |   |   |   |   | 22 |  |  |
| ADNB-12-08                                  | 3/4 – 16    | 1/2 – 14   | 36            |   |   |   |   | 22 |  |  |
| ADNB-14-08                                  | 7/8 – 14    | 1/2 – 14   | 39            |   |   |   |   | 26 |  |  |
| ADNB-17-08                                  | 1-1/16 – 12 | 1/2 – 14   | 43            |   |   |   |   | 32 |  |  |
| ADNB-17-12                                  | 1-1/16 – 12 | 3/4 – 14   | 46            |   |   |   |   | 32 |  |  |
| ADNB-21-12                                  | 1-5/16 – 12 | 3/4 – 14   | 46            |   |   |   |   | 38 |  |  |
| ADNB-21-16                                  | 1-5/16 – 12 | 1" – 11    | 49.5          |   |   |   |   | 38 |  |  |
| ADNB-26-20                                  | 1-5/8 – 12  | 1-1/4 – 11 | 54.5          |   |   |   |   | 48 |  |  |
| ADNB-30-24                                  | 1-7/8 – 12  | 1-1/2 – 11 | 56.5          |   |   |   |   | 57 |  |  |



[Contents Page](#)

| ADGN SERIES – JIC – ‘O’-RING BOSS ADAPTORS |             |             |               |   |   |   |   |    |    |  |
|--|-------------|-------------|---------------|---|---|---|---|----|----|--|
| PART NUMBER                                | THREAD      |             | DIMENSIONS mm |   |   |   |   |    |    |  |
|  | T1          | T2          | A             | B | C | D | E | H1 | H2 |  |
| ADGN-07-07                                 | 7/16 – 20   | 7/16 – 20   | 30            |   |   |   |   | 16 |    |  |
| ADGN-08-08                                 | 1/2 – 20    | 1/2 – 20    | 30            |   |   |   |   | 16 |    |  |
| ADGN-09-09                                 | 9/16 – 18   | 9/16 – 18   | 32.5          |   |   |   |   | 19 |    |  |
| ADGN-12-09                                 | 3/4 – 16    | 9/16 – 18   | 35            |   |   |   |   | 22 |    |  |
| ADGN-08-12                                 | 1/2 – 20    | 3/4 – 16    | 34            |   |   |   |   | 22 |    |  |
| ADGN-09-12                                 | 9/16 – 18   | 3/4 – 16    | 34            |   |   |   |   | 22 |    |  |
| ADGN-12-12                                 | 3/4 – 16    | 3/4 – 16    | 36.5          |   |   |   |   | 22 |    |  |
| ADGN-14-12                                 | 7/8 – 14    | 3/4 – 16    | 36.5          |   |   |   |   | 26 |    |  |
| ADGN-17-12                                 | 1-1/16 – 12 | 3/4 – 16    | 41.5          |   |   |   |   | 29 |    |  |
| ADGN-08-14                                 | 1/2 – 20    | 7/8 – 14    | 35.7          |   |   |   |   | 26 |    |  |
| ADGN-09-14                                 | 9/16 – 18   | 7/8 – 14    | 35.7          |   |   |   |   | 26 |    |  |
| ADGN-12-14                                 | 3/4 – 16    | 7/8 – 14    | 39.7          |   |   |   |   | 26 |    |  |
| ADGN-14-14                                 | 7/8 – 14    | 7/8 – 14    | 42.5          |   |   |   |   | 26 |    |  |
| ADGN-17-14                                 | 1-1/16 – 12 | 7/8 – 14    | 45.5          |   |   |   |   | 29 |    |  |
| ADGN-19-14                                 | 1-3/16 – 12 | 7/8 – 14    | 46            |   |   |   |   | 32 |    |  |
| ADGN-12-17                                 | 3/4 – 16    | 1-1/16 – 12 | 43.5          |   |   |   |   | 32 |    |  |
| ADGN-14-17                                 | 7/8 – 14    | 1-1/16 – 12 | 46            |   |   |   |   | 32 |    |  |
| ADGN-17-17                                 | 1-1/16 – 12 | 1-1/16 – 12 | 49            |   |   |   |   | 32 |    |  |
| ADGN-21-17                                 | 1-5/16 – 12 | 1-1/16 – 12 | 50            |   |   |   |   | 35 |    |  |
| ADGN-14-19                                 | 7/8 – 14    | 1-3/16 – 12 | 46            |   |   |   |   | 35 |    |  |
| ADGN-17-19                                 | 1-1/16 – 12 | 1-3/16 – 12 | 49            |   |   |   |   | 35 |    |  |
| ADGN-19-19                                 | 1-3/16 – 12 | 1-3/16 – 12 | 49            |   |   |   |   | 35 |    |  |
| ADGN-21-19                                 | 1-5/16 – 12 | 1-3/16 – 12 | 50            |   |   |   |   | 35 |    |  |
| ADGN-17-21                                 | 1-1/16 – 12 | 1-5/16 – 12 | 50            |   |   |   |   | 38 |    |  |
| ADGN-21-21                                 | 1-5/16 – 12 | 1-5/16 – 12 | 51            |   |   |   |   | 38 |    |  |
| ADGN-26-21                                 | 1-5/8 – 12  | 1-5/16 – 12 | 52            |   |   |   |   | 44 |    |  |
| ADGN-17-26                                 | 1-1/16 – 12 | 1-5/8 – 12  | 50            |   |   |   |   | 48 |    |  |
| ADGN-26-30                                 | 1-5/8 – 12  | 1-7/8 – 12  | 52            |   |   |   |   | 57 |    |  |
| ADGN-30-30                                 | 1-7/8 – 12  | 1-7/8 – 12  | 55.5          |   |   |   |   | 57 |    |  |



**PART NUMBER**

S006-23-16 (VL) L5"  
 S023-08-08 (VS)  
 S023-08-08 (VL)  
 S023-08-12 (VL)  
 S023-09-08 (VS)  
 S023-10-08 (VS)  
 S023-10-10 (VS)  
 S023-10-10 (VL)  
 S023-12-10 (VL)  
 S023-12-08 (VS)  
 S023-12-08 (VL)  
 S023-12-10 (VS)  
 S023-12-10 (VL)  
 S023-12-12 (VL)  
 S023-12-12 (VL) L3"  
 S023-12-12 (VL) L4"  
 S023-12-12 (VL) L5"  
 S023-12-16 (VL)  
 S023-14-08 (VS)  
 S023-14-08 (VL)  
 S023-14-12 (VL)  
 S023-14-12 (VL) HD  
 S023-14-16 (VL)  
 S023-16-12 (VL)  
 S023-16-12 (VL) L3"  
 S023-16-12 (VL) L4"  
 S023-16-16 (VL) NH  
 S023-16-16 (VL)  
 S023-16-16 (VL) L3"  
 S023-16-16 (VL) L4"  
 S023-16-20 (VL)  
 S023-18-12 (VL)  
 S023-18-12 (VL) HD  
 S023-18-16 (VL) L4"  
 S023-18-16 (VL)  
 S023-18-16 (VL) HD  
 S023-20-16 (VL)  
 S023-20-20 (VL) L4"  
 S023-20-20 (VL)  
 S023-20-24 (VL)  
 S023-22-16 (VL)  
 S023-22-16 (VL) HD  
 S023-22-20 (VL)  
 S023-22-20 (VL) HD  
 S023-24-20 (VL)  
 S023-24-24 (VL)  
 S023-26-20 (VL)  
 S023-26-20 (VL) HD  
 S023-26-24 (VL)  
 S023-26-24 (VL) HD  
 S023-32-24 (VL)  
 S023-32-32 (VL)  
 S023-40-32 (VL)  
 S051-04-04 (VS)  
 S051-04-05 (VS)



**PART NUMBER**

- S051-04-06 (VS)
- S051-06-05 (VS)
- S051-06-06 (VS)
- S051-08-06 (VS)
- S051-08-08 (VS)
- S051-10-08 (VS)
- S051-10-10 (VS)
- S051-12-12 (VS)
- S051-12-12 (VL)
- S051-16-12 (VS)
- S051-16-16 (VS)
- S051-16-16 (VL)
- S051-20-20 (VS)
- S051-20-20 (VL)
- S051-24-24 (VS)
- S051-24-24 (VL)
- S051-32-32 (VL)
- S053-10-06 (VS)
- S055-07-04 (VS)
- S055-08-04 (VS)
- S055-08-05 (VS)
- S055-08-06 (VS)
- S055-09-04 (VS)
- S055-09-05 (VS)
- S055-09-06 (VS)
- S055-09-06 (VS) L3"
- S055-09-06 (VS) L4"
- S055-09-06 (VS) L5"
- S055-09-06 (VS) L6"
- S055-12-06 (VS)
- S055-12-06 (VS) L3"
- S055-12-06 (VS) L4"
- S055-12-08 (VS)
- S055-14-06 (VS)
- S055-14-08 (VS)
- S055-14-10 (VS)
- S055-17-08 (VS)
- S055-17-10 (VS)
- S055-17-12 (VS)
- S055-17-12 (VL)
- S055-21-12 (VL)
- S055-21-16 (VS)
- S055-21-16 (VL)
- S055-26-20 (VS)
- S055-26-20 (VL)
- S055-30-24 (VL)
- S056-09-04 (VS)
- S056-11-06 (VS)
- S056-13-08 (VS)
- S056-16-08 (VS)
- S056-16-10 (VS)
- S056-19-12 (VL)
- S056-19-12 (VL) L3"
- S056-19-12 (VL) L4"



**PART NUMBER**

- S056-23-16 (VL)
- S056-27-20 (VL)
- S059-08-08 (VS)
- S059-08-08 (VS) L3"
- S059-08-08 (VS) L5"
- S059-08-08 (VL)
- S059-08-12 (VL) L5"
- S059-10-08 (VS)
- S059-10-10 (VS)
- S059-10-10 (VL)
- S059-12-08 (VS)
- S059-12-08 (VL)
- S059-12-10 (VS)
- S059-12-12 (VL)
- S059-12-12 (VL) L3"
- S059-12-12 (VL) L4"
- S059-12-12 (VL) L5"
- S059-12-12(VL) L6"
- S059-12-16 (VL)
- S059-12-16 (VL) L4"
- S059-12-16 (VL) L5"
- S059-14-08 (VS)
- S059-14-12 (VL)
- S059-14-12 (VL) L4"
- S059-14-12 (VL) L5"
- S059-14-12 (VL) HD
- S059-14-16 (VL)
- S059-16-12 (VL)
- S059-16-12 (VL) L3 1/2"
- S059-16-16 (VL)
- S059-16-16 (VL) L4"
- S059-16-16 (VL) L5"
- S059-16-16 (VL) L6"
- S059-16-20 (VL)
- S059-18-12 (VL)
- S059-18-12 (VL) HD
- S059-18-16 (VL)
- S059-18-16 (VL) L4"
- S059-18-16 (VL) L5"
- S059-18-16 (VL) L6"
- S059-18-16 (VL) HD
- S059-20-16 (VL)
- S059-20-16 (VL) L3"
- S059-20-16 (VL) L4"
- S059-20-16 (VL) L6"
- S059-20-20 (VL) L5"
- S059-20-20 (VL)
- S059-20-24 (VL)
- S059-22-16 (VL)
- S059-22-16 (VL) HD
- S059-22-20 (VL)
- S059-22-20 (VL) HD
- S059-24-16 (VL)
- S059-24-20 (VL)



**PART NUMBER**

- S059-24-24 (VL)
- S059-26-20 (VL)
- S059-26-20 (VL) HD
- S059-26-24 (VL)
- S059-26-24 (VL) HD
- S059-32-20 (VL)
- S059-32-24 (VL)
- S059-32-32 (VL)
- S060-04-04 (VS)
- S060-06-04 (VS)
- S060-06-05 (VS)
- S060-06-06 (VS)
- S060-08-06 (VS)
- S060-08-08 (VS)
- S060-10-08 (VS)
- S060-10-10 (VS)
- S060-12-12 (VS)
- S060-12-12 (VL)
- S060-16-16 (VS)
- S060-16-16 (VL)
- S060-20-20 (VL)
- S060-24-24 (VL)
- S060-32-32 (VL)
- S062-08-08 (VS)
- S062-12-08 (VL)
- S062-12-12 (VL)
- S062-14-12 (VL)
- S062-16-12 (VL)
- S062-16-16 (VL)
- S062-18-16 (VL)
- S062-20-16 (VL)
- S062-20-20 (VL)
- S062-24-24 (VL)
- S062-26-20 (VL)
- S062-32-32 (VL)
- S063-08-08 (VS)
- S063-12-08 (VL)
- S063-12-12 (VL)
- S063-14-12 (VL)
- S063-16-12 (VL)
- S063-16-16 (VL)
- S063-18-12 (VL) HD
- S063-18-16 (VL)
- S063-18-16 (VL) HD
- S063-20-16 (VL)
- S063-20-20 (VL)
- S063-22-16 (VL) HD
- S063-22-20 (VL) HD
- S063-24-20 (VL)
- S063-24-24 (VL)
- S063-26-20 (VL)
- S063-26-20 (VL) HD
- S063-32-32 (VL)



**PART NUMBER**

- S064-07-04 (VS)
- S064-08-04 (VS)
- S064-08-05 (VS)
- S064-08-06 (VS)
- S064-09-04 (VS)
- S064-09-05 (VS)
- S064-09-06 (VS)
- S064-12-06 (VS)
- S064-12-08 (VS)
- S064-14-08 (VS)
- S064-14-10 (VS)
- S064-17-08 (VS)
- S064-17-10 (VS)
- S064-17-12 (VL)
- S064-17-12 (VS)
- S064-21-12 (VL)
- S064-21-16 (VS)
- S064-21-16 (VL)
- S064-26-20 (VS)
- S064-26-20 (VL)
- S066-08-08 (VS)
- S066-09-08 (VS)
- S066-12-12 (VL)
- S066-14-08 (VS)
- S066-16-12 (VL)
- S066-16-16 (VL)
- S066-18-12 (VL)
- S066-18-12 (VL) HD
- S066-18-12 (VS)
- S066-18-16 (VL) HD
- S066-20-16 (VL)
- S066-20-20 (VL)
- S066-22-16 (VL)
- S066-22-16 (VL) HD
- S066-22-20 (VL)
- S066-22-20 (VL) HD
- S066-24-20 (VL)
- S066-24-24 (VL)
- S066-26-20 (VL)
- S066-32-24 (VL)
- S066-32-32 (VL)
- S067-08-08 (VS)
- S067-12-08 (VS)
- S067-12-12 (VL)
- S067-16-12 (VL)
- S067-16-16 (VL)
- S067-18-16 (VL)
- S067-20-16 (VL)
- S067-20-20 (VL)
- S067-24-20 (VL)
- S067-24-24 (VL)
- S067-26-20 (VL) HD
- S067-32-24 (VL)
- S067-32-32 (VL)



**PART NUMBER**

- S068-08-08 (VS)
- S068-08-08 (VL)
- S068-09-08 (VS)
- S068-10-10 (VS)
- S068-10-10 (VL)
- S068-12-08 (VS)
- S068-12-08 (VL)
- S068-12-10(VS)
- S068-12-12 (VL) L4"
- S068-12-12 (VL)
- S068-14-08 (VS)
- S068-14-12 (VL)
- S068-14-12 (VL) HD
- S068-14-16 (VL)
- S068-16-12 (VL) L4"
- S068-16-12 (VL)
- S068-16-16 (VL) L4"
- S068-16-16 (VL)
- S068-18-12 (VL)
- S068-18-12 (VL) HD
- S068-18-16 (VL)
- S068-18-16 (VL) HD
- S068-20-16 (VL)
- S068-20-20 (VL)
- S068-22-16 (VL)
- S068-22-16 (VL) HD
- S068-22-20 (VL)
- S068-22-20 (VL) HD
- S068-24-20 (VL)
- S068-24-16 (VL)
- S068-24-20 (VL)
- S068-24-24 (VL)
- S068-26-20 (VL)
- S068-26-20 (VL) HD
- S068-26-24 (VL)
- S068-26-24 (VL) HD
- S068-32-24 (VL)
- S068-32-32 (VL)
- S526-04-04 (VS)
- S526-06-06 (VS)
- S526-08-08 (VS)
- S526-12-12 (VS)
- S526-16-16 (VS)
- S603-10-06 (VS)
- S666-11-06 (VS)
- S666-13-08 (VS)
- S851-12-04 (VS)
- S851-16-06 (VS)
- S851-22-08 (VS)
- S853-12-04 (VS)
- S853-14-04 (VS)
- S853-16-06 (VS)
- S853-22-08 (VS)



## PART NUMBER

S856-18-06 (VS)  
S856-18-16 (VS)  
S861-18-06 (VS)  
S861-22-08 (VS)  
S863-14-06 (VS)  
S863-16-06 (VS)  
S863-18-06 (VS)  
S863-22-08 (VS)  
S864-22-08 (VS)  
S864-24-08 (VS)  
S865-24-08 (VS)  
S866-18-06 (VS)  
S875-14-04 (VS)  
S875-16-06 (VS)  
S875-18-06 (VS)  
S875-20-06 (VS)  
S875-20-08 (VS)  
S875-22-08 (VS)



[Contents Page](#)

(VS) Solid piece – standard tail  
(VL) Solid piece – multispiral tail  
HD Heavy Duty Nut Fittings or Caterpillar® or 9000 series